

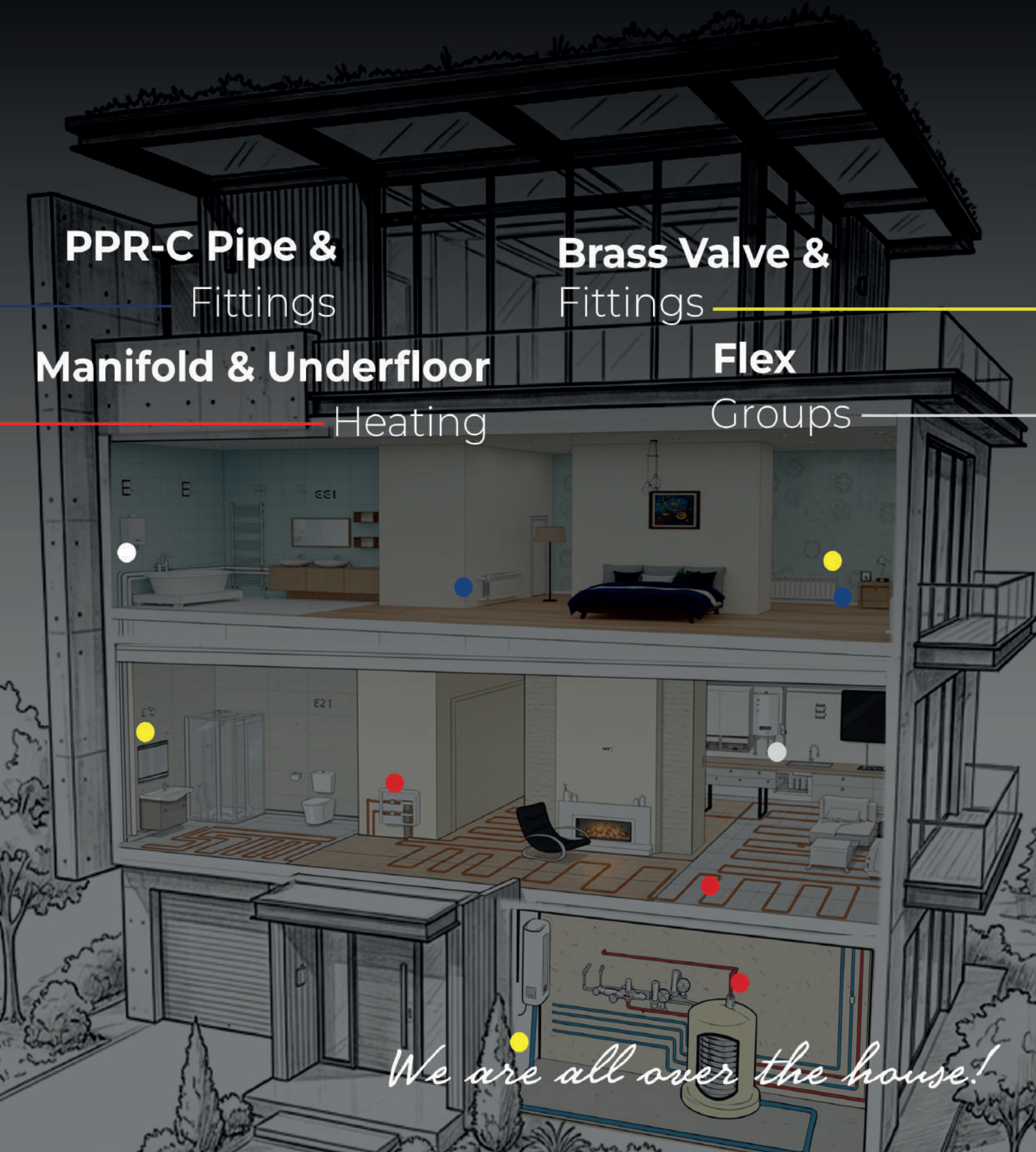
KAS[®]

PPR-C Pipe & Fittings

Brass Valve & Fittings

Manifold & Underfloor Heating

Flex Groups



We are all over the house!

Welcome to the world of KAS GROUP

KAS – A Trusted Name in Plumbing and Heating Solutions

KAS is one of the leading manufacturers of plumbing, heating, and installation systems with decades of experience in the industry. Guided by a commitment to superior product quality and innovation, we ensure reliable and long-lasting solutions for homes, buildings, and large-scale projects worldwide.

Our products are trusted in millions of installations, providing safety, efficiency, and comfort in daily life. Every year, KAS expands its product range with new and improved solutions, designed to meet the needs of professionals and the expectations of even the most demanding customers.

Vision, Mission and Values

At KAS, our vision, mission, and values guide everything we do. They shape the direction of our growth, inspire us in our daily operations, and define how we serve our customers, support our employees, and collaborate with our business partners.

These principles reflect not only our commitment to quality and innovation but also our responsibility towards building trust, ensuring sustainability, and creating long-term value for everyone connected to KAS.

KAS continues to strengthen its position in the global market thanks to its wide product portfolio, high production capacity, and uncompromising quality standards. Our strong logistics network, innovative solutions, and customer-focused approach give us a competitive edge and ensure sustainable growth in every market we serve.

Stable and Secure Market Position

KAS strengthens its market presence through its diverse product groups and specialized divisions, including KASTherm, KASTAK, KAS Plastic, KAS Valve/Fittings, KAS Flexible Hoses Groups and KAS Faucets. This broad and integrated structure provides a significant competitive advantage and ensures long-term stability in the industry.

By consistently maintaining the highest operational standards and continuously expanding its portfolio of high-quality products, KAS builds customer trust, enhances brand reputation, and secures a strong and reliable position in global markets.

Large-Scale Operations

Beyond its strong presence in Türkiye, KAS delivers its products to more than 100 countries across Europe, the Middle East, South America, Africa, and Asia. With multiple production facilities in Dilovasi, Tuzla, and Sancaktepe, as well as strategic logistics hubs, KAS ensures reliable supply and fast delivery to global markets.

By combining advanced manufacturing technologies with high production capacity, KAS has become one of the leading international brands in plumbing, heating, and installation systems.

High Quality Standards

KAS is dedicated to achieving the highest levels of product quality, ensuring that every item meets international standards of performance, safety, and durability. Our production processes are aligned with globally recognized certifications, including ISO 9001 Quality Management System and various European EN standards.

By combining advanced testing procedures with strict quality control at every stage of production, KAS guarantees reliable solutions for plumbing and heating systems worldwide. This commitment to excellence has earned KAS recognition from industry organizations and partners, reinforcing our reputation as a trusted global brand.

Tested, Trusted Proven in Action

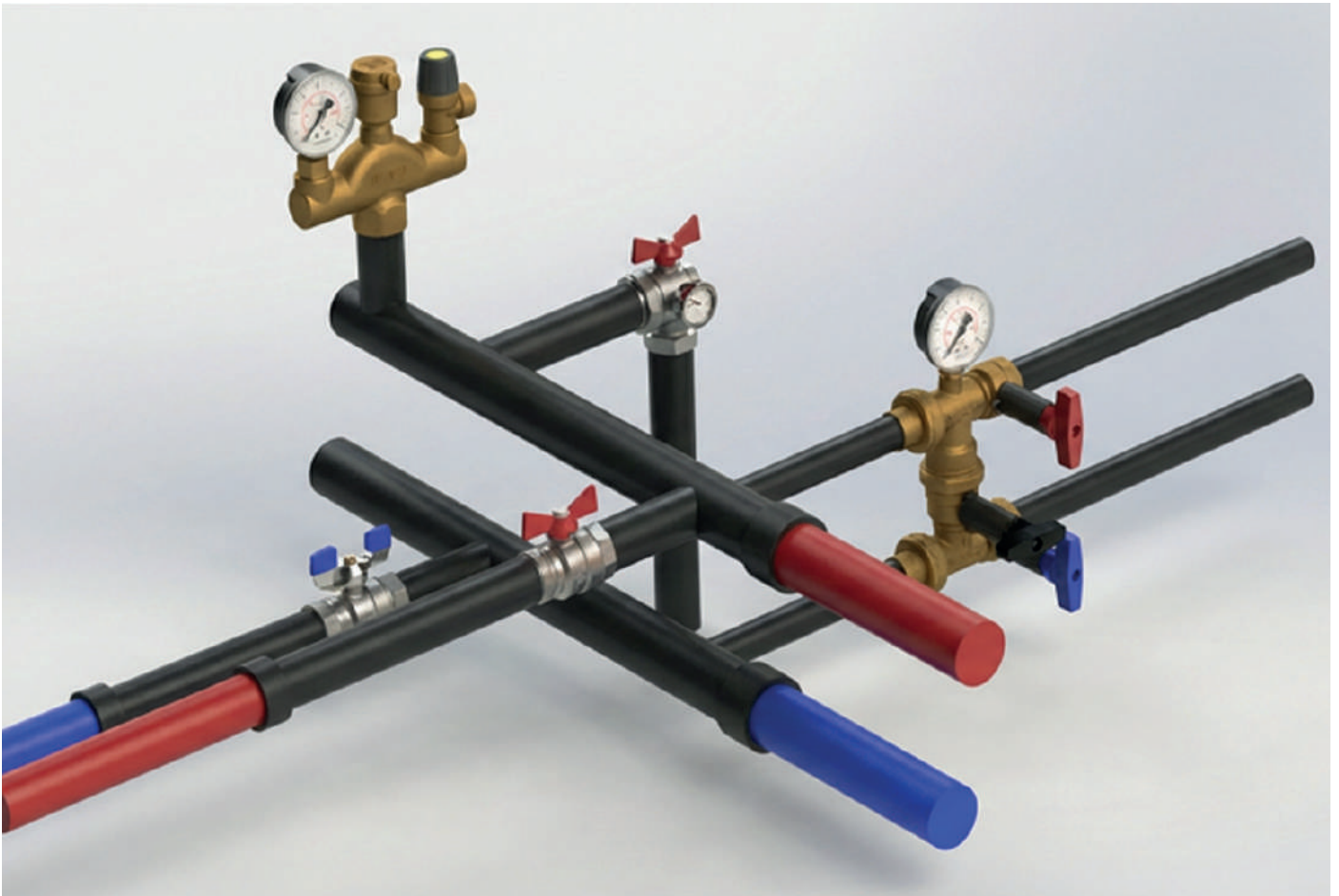
Recognized for Excellence

KAS products are consistently acknowledged for their durability, reliability, and superior workmanship. Over the years, many of our solutions have received prestigious awards and distinctions from industry organizations, certification bodies, and respected construction and design institutions.

These recognitions reflect not only the high quality of KAS products but also the trust and confidence we have earned from professionals and customers across global markets.

KAS places strong emphasis on meeting international standards and ensuring that every product delivers the highest levels of technical performance, safety, and functionality. For this reason, our company has implemented the ISO 9001:2015 Quality Management System, supported by additional European and international certifications.

This systematic approach guarantees that KAS products consistently meet the expectations of both professionals and end users, reinforcing our reputation as a reliable global brand.



Excellence Built on Details

At every stage of production, KAS places great emphasis on precision and finishing. This careful approach ensures that each product not only meets the highest technical standards but also delivers a flawless appearance and long-lasting reliability.

Through this dedication to detail, KAS products stand out with superior quality, durability, and design excellence trusted in projects worldwide.



QUALITY UNDER SCRUTINY

KAS ensures the highest quality of its products by strictly adhering to international standards and maintaining advanced technical parameters, safety, and functionality. Every product undergoes precise and demanding quality verification procedures at each stage of production.

Highly qualified engineers and specialists oversee the entire quality control process, ensuring compliance with global certifications and standards. Independent auditors regularly verify adherence to the requirements of the ISO 9001 Quality Management System as well as European EN standards.

This rigorous approach guarantees that every KAS product leaving our facilities meets the expectations of professionals and end users worldwide.



Quality in The Making

KAS manufactures in modern facilities located in Dilovasi, Tuzla, and Sancaktepe, using high-quality raw materials from trusted suppliers.

Each stage of production is closely monitored and supported by advanced testing and certification procedures. Before shipment, every product undergoes strict quality control to guarantee reliability, safety, and long-lasting performance.

With this approach, KAS ensures that customers worldwide receive products that are tested, certified, and built to last.



Experience You Can Trust, Passion You Can Feel

At KAS, our greatest strength lies in our people. The dedication, expertise, and passion of our team are the foundation of our success. Our organizational culture is built on openness, innovation, and collaboration, which is why we invest in exceptional talents and support their continuous growth.

We believe that the right motivation, strong teamwork, and a supportive work environment not only enhance efficiency but also contribute to the long-term development of both our employees and our company. Guided by our core values, we create an atmosphere that inspires creativity, responsibility, and shared success.



PROFESSIONAL SEGMENT

At KAS, we know that true progress comes from working hand in hand with professionals.

Close cooperation with installation companies and direct feedback from those who use our products in the field allow us to continuously improve and innovate.

That is why we have established a dedicated team to support installers with expert advice, technical assistance, and reliable service every day.

At KAS, we work with exceptional people their passion and dedication are the driving force behind our success.

Thanks to their expertise, we deliver outstanding results and create solutions trusted worldwide.



**Full Bore Brass Ball Valve
For N. Gas**



**Full Bore Brass Ball Valve
For Water PN 40**



**Full Bore Brass Ball
Valve With Butterfly
Handle - PN 25**



**Angle Thermostatic
Radiator Valve**



Combined Air Separator



**Pressure Reducing
Valve**



**Lockshield Angle
Radiator Valve Sealed
Type**



**Straight Radiator Valve
Sealed Type (Pex-B)**



**Lockshield Radiator
Valve Straight Type**

GLOBAL PRECISION

EN 13547 INDUSTRIAL VALVE

Industrial ball valves are manufactured under the KAS brand to deliver high-quality performance in pressure classes ranging from PN6 to PN40 and in sizes from DN15 to DN50.

Their long service life and wide high-pressure range are the key features that distinguish these valves from conventional alternatives.

Technical Specifications

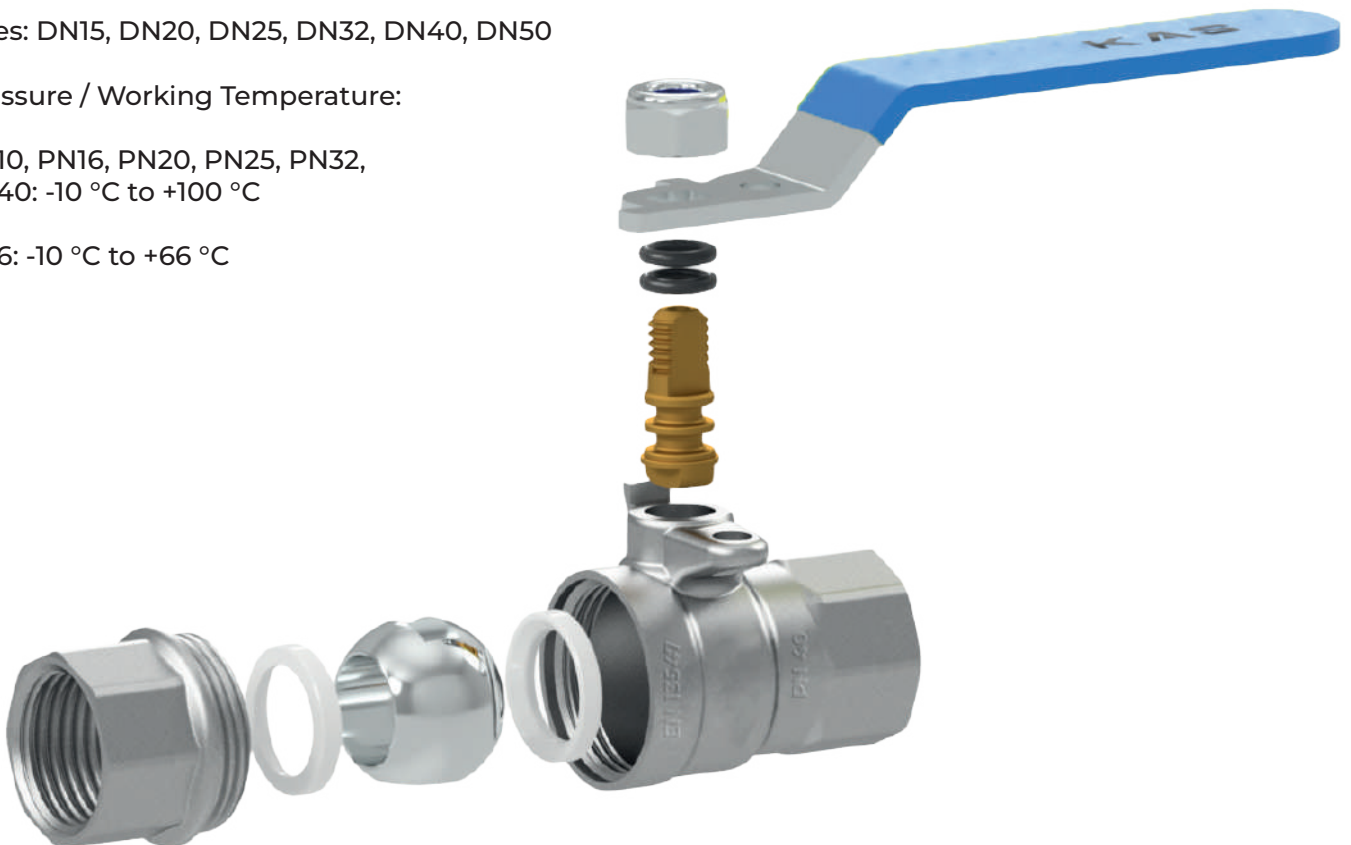
Material: Brass / Stainless Steel

Sizes: DN15, DN20, DN25, DN32, DN40, DN50

Pressure / Working Temperature:

PN10, PN16, PN20, PN25, PN32,
PN40: -10 °C to +100 °C

PN6: -10 °C to +66 °C



Certified Safety and Performance

All our gas valves are officially approved and certified by Kiwa and TSE.

These certifications demonstrate that our products fully comply with the required safety, durability, and technical performance standards.

GLOBAL STANDARDS

EN 331 GAS VALVE

The gas ball valve series is engineered to deliver maximum durability and operational safety under the most demanding working conditions.

Accredited laboratory tests confirm that KAS valves fully comply with the EN 1775 high-temperature resistance requirement of 650°C for 30 minutes, and meet the requirements of the MOP5 operating pressure class.

As a result of endurance tests conducted by accredited laboratories and certification bodies, our products are certified to operate at low temperatures down to -20°C and to maintain full functionality up to +60°C.

High-pressure resistance tests conducted by accredited institutions have demonstrated the following results:

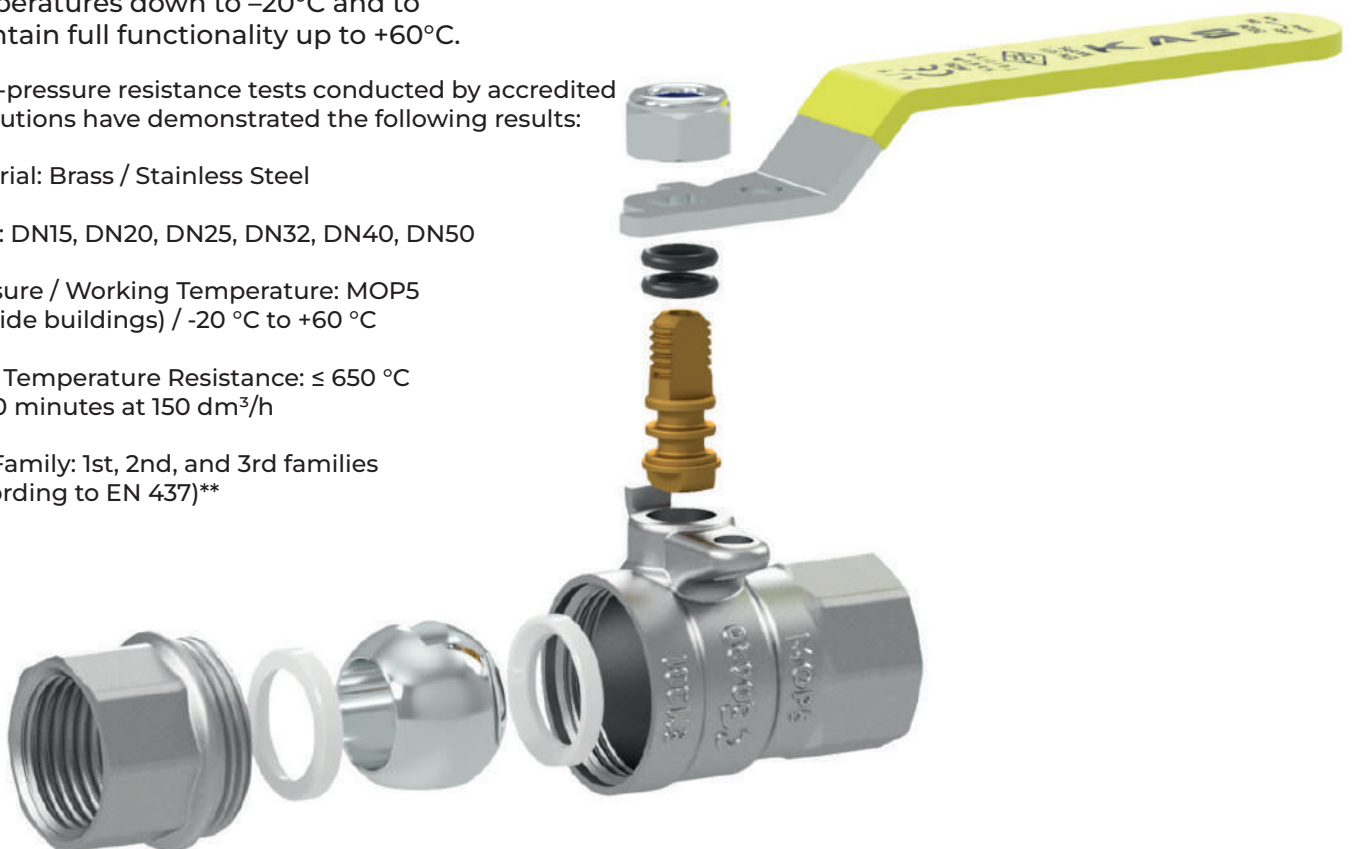
Material: Brass / Stainless Steel

Sizes: DN15, DN20, DN25, DN32, DN40, DN50

Pressure / Working Temperature: MOP5 (outside buildings) / -20 °C to +60 °C

High Temperature Resistance: ≤ 650 °C for 30 minutes at 150 dm³/h

Gas Family: 1st, 2nd, and 3rd families (according to EN 437)**



Certified Safety and Performance

All our gas valves are officially approved and certified by Kiwa and TSE.

These certifications demonstrate that our products fully comply with the required safety, durability, and technical performance standards.

GLOBAL PERFORMANCE

EN 13828 DRINKING WATER VALVE

Potable water valves are manufactured in the PN10 pressure class and in sizes ranging from DN15 to DN50.

Our product meets all requirements defined by the relevant standards for drinking water applications and is certified by specialized accredited institutions in this field.

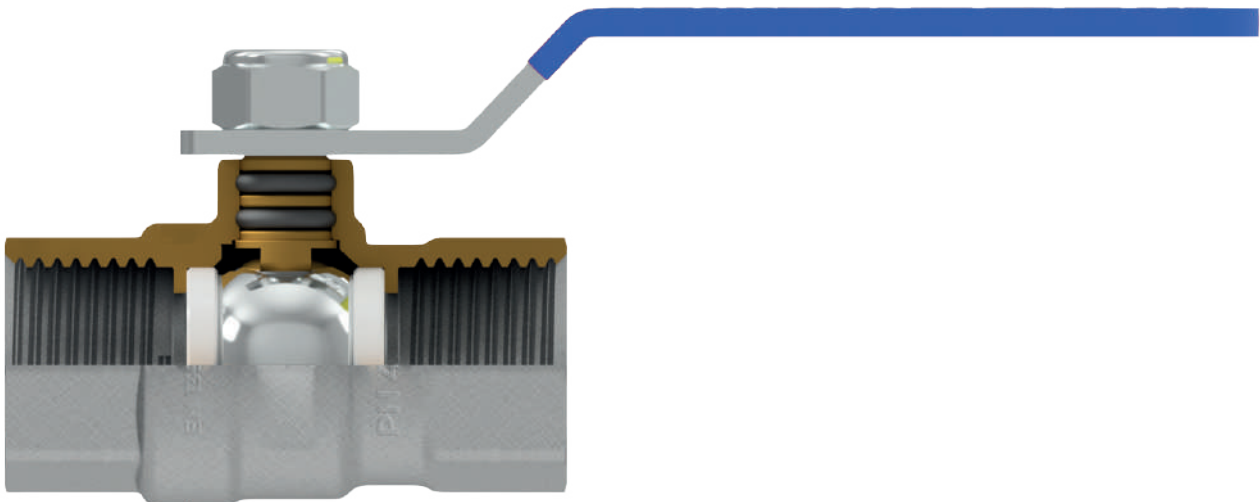
The long service life of our products and their high hygiene standards distinguish them in potable water systems.

Technical Specifications

Material: Brass / Stainless Steel

Sizes: DN15, DN20, DN25, DN32, DN40, DN50

Pressure / Working Temperature: PN10 / 65 °C (90 °C max. 1 hour)**



Certified Safety and Performance

All our potable water valves are officially approved and certified by Kiwa and TSE.

These certifications confirm that our products fully comply with the required safety, durability, and technical performance standards.

BRASS VALVE & FITTINGS

12 - 53

UNDERFLOOR HEATING MANIFOLDS & SYSTEMS

54 - 77

FLEXIBLE METAL HOSE GROUPS

78 - 105

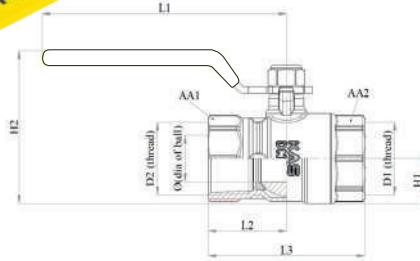
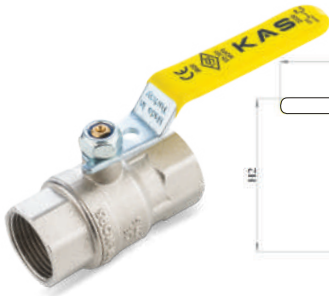
PPR-C PIPE & FITTINGS

106 - 126





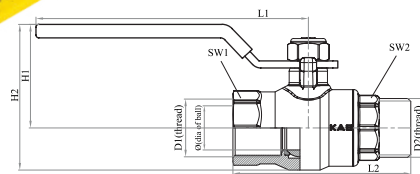
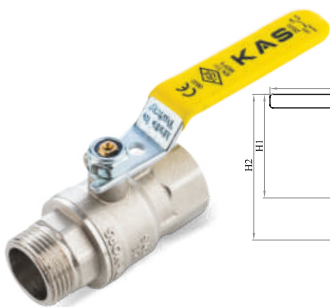
FULL BORE BRASS BALL VALVE FOR N. GAS (F-F)



Standard	EN 331
Working Temperature	-20°C/+60°C
Pressure Class	Mop 5
High Temperature Pressure Class	C 0,5
Tds Qr Code	

PRODUCT CODE	SIZE	PCS/BOX	PCS/GROSS	DN	D1(THREAD)	D2(THREAD)	Ø (DIA OF BALL)	SW1	SW2
MOP 5									
07.04.830	1/2"	100	0,156	15	1/2"	1/2"	Ø 14	24	24
07.04.831	3/4"	80	0,209	20	3/4"	3/4"	Ø 19	29	29
07.04.402	1"	40	0,402	25	RP 1/2"	RP 1/2"	Ø 14	38	38
07.04.503	1 1/4"	20	0,508	32	RP 1 1/4"	RP 1 1/4"	Ø 30	46	46
07.04.404	1 1/2"	12	0,867	40	RP 1 1/2"	RP 1 1/2"	Ø 38	53	53
07.04.405	2"	8	1,234	50	RP 2"	RP 2"	Ø 47	65	65

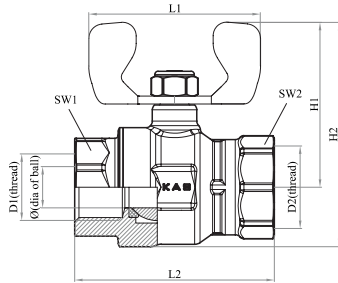
FULL BORE BRASS BALL VALVE FOR N.GAS (F-M)




Standard	EN 331
Working Temperature	-20°C / 60°C
Pressure Class	Mop 5
High Temperature Pressure Class	C 0,5
Tds Qr Code	

PRODUCT CODE	SIZE	PCS/BOX	PCS/GROSS	DN	D1(INCH)	D2(INCH)	Ø (DIA OF BALL)	L1	L2
MOP 5									
08.11.830-01	1/2"	100	0,171	15 (1/2")	1/2"	1/2"	14	91	61,7
08.11.831-01	3/4"	80	0,225	20 (3/4")	3/4"	3/4"	19	95	68,9
08.11.632-01	1"	40	0,420	25 (1")	1"	1"	24	98	81,7

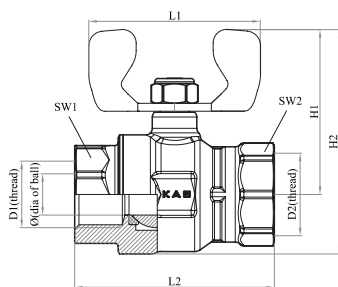
FULL BORE BRASS BALL VALVE FOR N.GAS WITH BUTTERFLY HANDLE (F-F)




Standard	EN 331
Working Temperature	-20°C / 60°C
Pressure Class	Mop 5
High Temperature Pressure Class	C 0,5
Tds Qr Code	

PRODUCT CODE	SIZE	PCS/BOX	PCS/GROSS	DN	D1(INCH)	D2(INCH)	Ø (DIA OF BALL)	L1	L2
MOP 5									
08.04.830-01	1/2"	100	0,139	15 (1/2")	1/2"	1/2"	14	56,5	55,1
08.04.831-01	3/4"	80	0,192	20 (3/4")	3/4"	3/4"	19	56,5	65,1
08.04.632-01	1"	40	0,395	25 (1")	1"	1"	24	69	80,9

FULL BORE BRASS BALL VALVE FOR N.GAS WITH BUTTERFLY HANDLE (F-M)

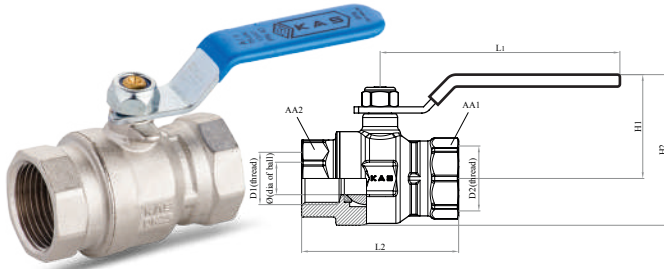


Standard	EN 331
Working Temperature	-20°C / 60°C
Pressure Class	Mop 5
High Temperature Pressure Class	C 0,5
Tds Qr Code	

PRODUCT CODE	SIZE	PCS/BOX	PCS/GROSS	DN	D1(INCH)	D2(INCH)	Ø (DIA OF BALL)	L1	L2
MOP 5									
08.03.830-01	1/2"	100	0,153	15 (1/2")	1/2"	1/2"	14	56,5	61,7
08.03.831-01	3/4"	80	0,207	20 (3/4")	3/4"	3/4"	19	56,5	68,9
08.03.632-01	1"	40	0,390	25 (1")	1"	1"	24	69	81,7



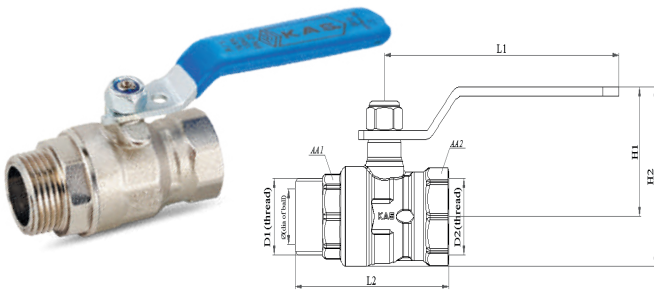
FULL BORE BRASS BALL VALVE FOR WATER PN 40



Standard	EN 13547
Working Temperature	-10°C/+100°C
Pressure Class	PN 40
Intended Use	Industrial Applications
Tds Qr Code	

PRODUCT CODE	SIZE	PCS/BOX	PCS/GROSS	L1	L2	H1	H2	AA1	AA2
08.02.430	1/2"	100	0,171	95 ±1.5	58.3 ±0.5	37 ±1.5	50.6 ±1.5	25	25
08.02.431	3/4"	80	0,208	95.5	61.2 ±0.5	39 ±1.5	55.5 ±1.5	30	30
08.02.432	1"	40	0,379	98 ±1.5	74.1 ±0.5	48.3 ±1.5	70.5 ±1.5	38	38
08.02.433	1 1/4"	20	0,504	120 ±1.5	83 ±0.5	52.1 ±1.5	78.4 ±1.5	46	46
08.02.434	1 1/2"	12	0,855	158 ±1.5	88 ±0.5	66.5 ±1.5	99 ±1.5	53	53
08.02.435	2"	8	1,285	158 ±1.5	110 ±0.5	74.5 ±1.5	116 ±1.5	65	65
PRODUCT CODE	SIZE	PCS/BOX	PCS/GROSS	DN	L1	L2	L3	H1	H2
PN 16									
80.61.426	2 1/2"	4	2,932	65	223	73	146	52	161
80.61.427	3"	3	4,291	80	273	80	160	60	186
80.61.428	4"	1	6,670	100	273	104	207	77	215

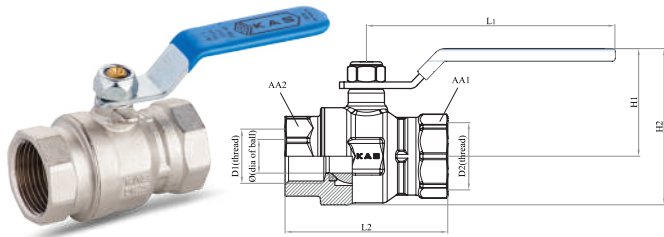
FULL BORE BRASS BALL VALVE FOR WATER PN 25



Standard	EN 13547
Working Temperature	-10°C/+100°C
Pressure Class	PN 25
Intended Use	Industrial Applications
Tds Qr Code	

PRODUCT CODE	SIZE	PCS/BOX	PCS/GROSS	DN	D1 (THREAD)	D2 (THREAD)	Ø (DIA OF BALL)	L1	L2
08.11.430	1/2"	100	0,171	15	1/2"	1/2"	Ø14	95	62,7
08.11.431	3/4"	80	0,235	20	3/4"	3/4"	Ø17	95	69,3
08.11.432	1"	40	0,388	25	1"	1"	Ø24	98	78,3
08.11.433	1 1/4"	20	0,551	32	1 1/4"	1 1/4"	Ø29,5	121	87
08.11.434	1 1/2"	12	0,928	40	1 1/2"	1 1/2"	Ø38	158	95,5
08.11.435	2"	8	1,318	50	2"	2"	Ø47	158	109

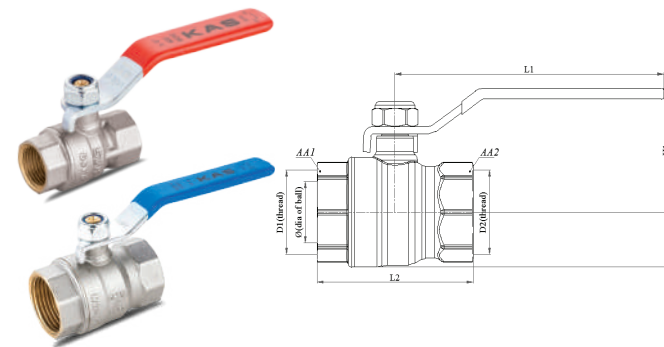
FULL BORE BRASS BALL VALVE FOR WATER PN 25



Standard	TS EN 13547
Working Temperature	-10°C/100°C
Pressure Class	PN 25
Intended Use	Industrial Applications
Tds Qr Code	

PRODUCT CODE	SIZE	PCS/BOX	PCS/GROSS	L1	L2	H1	H2	AA1	AA2
08.09.430	1/2"	100	0,169	95±1,5	58,3±0,5	37±1,5	50,6±1,5	25	25
08.09.431	3/4"	80	0,206	95±1,5	61,2±0,5	39±1,5	55±1,5	30	30
08.09.432	1"	40	0,382	98±1,5	74,1±0,5	48,3±1,5	70,5±1,5	38	38
08.09.433	1 1/4"	20	0,507	120±1,5	83±0,5	52,1±1,5	78,4±1,5	46	46
08.09.434	1 1/2"	12	0,861	158±1,5	88±0,5	66,5±1,5	99±1,5	53	53
08.09.435	2"	8	1,236	158±1,5	110±0,5	74,5±1,5	116±1,5	65	65

BALL VALVE WITH STRAIGHT HANDLE PN 40

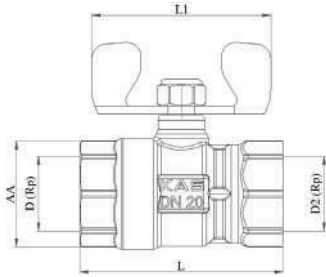


Working Temperature	-10°C/100°C
Pressure Class	PN 40
Intended Use	Plumbing System
Tds Qr Code	

PRODUCT CODE	SIZE	PCS/BOX	PCS/GROSS	DN	D1 (THREAD)	D2 (THREAD)	Ø (DIA OF BALL)	L1	L2
08.09.528	1/4"	100	0,123	10	1/4" F	1/4" F	ø 9	80 ± 1,5	40 ± 0,5
08.09.529	3/8"	100	0,111	10	3/8" F	3/8" F	ø 9	80 ± 1,5	42 ± 0,5
08.09.530	1/2"	100	0,130	15	1/2"(F)	1/2"(F)	ø 13	91±1,5	45±0,5
08.09.531	3/4"	80	0,188	20	3/4"(F)	3/4"(F)	ø 19	91±1,5	55±0,5
08.09.532	1"	40	0,350	25	1"(F)	1"(F)	ø 24	112±1,5	65±0,5



FULL BORE BRASS BALL VALVE WITH BUTTERFLY HANDLE - PN 25



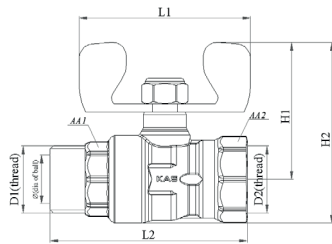
Standard	TS EN 13547
Working Temperature	-10°C/+65°C
Pressure Class	PN 25
Intended Use	Water Installation

Tds Qr Code



PRODUCT CODE	SIZE	PCS/BOX	PCS/GROSS	DN	D1(THREAD)	D2(THREAD)	AA	L	L1
08.04.430	1/2"	100	0,152	15	1/2"	1/2"	25	52	54
08.04.431	3/4"	80	0,189	20	3/4"	3/4"	30	61,3	54
08.04.432	1"	40	0,374	25	1"	1"	38	54	68,4

FULL BORE BRASS BALL VALVE WITH BUTTERFLY HANDLE - PN 25



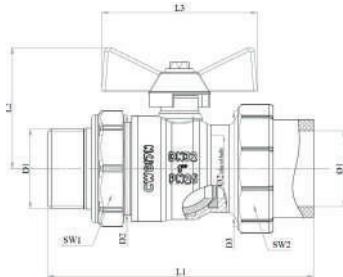
Standard	EN 13547
Working Temperature	-10°C/+100°C
Pressure Class	PN 25
Intended Use	Industrial Applications

Tds Qr Code



PRODUCT CODE	SIZE	PCS/BOX	PCS/GROSS	DN	D1(THREAD)	D2(THREAD)	AA1	L1	L2
08.03.430	1/2"	100	0,154	15	Rp 1/2"	Rp 1/2"	22	54	63
08.03.431	3/4"	80	0,222	20	Rp 3/4"	Rp 3/4"	27	54	69,3
08.03.432	1"	40	0,372	25	Rp 1"	Rp 1"	34	68,4	78,3

WATER BALL VALVE WITH PPR CONNECTION



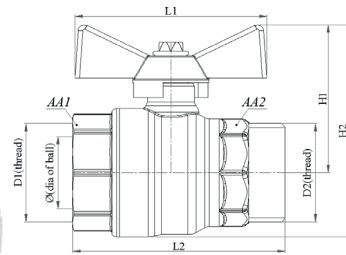
Temperature Class	-10 °C / +100 °
Pressure Class	PN 25
Intended Use	Plumbing Systems

Tds Qr Code



PRODUCT CODE	SIZE	PCS/BOX	PCS/GROSS	DN	SW1 (OCTAGONAL)	SW2 (DECAGON)	D1(INCH)	D2(INCH)	D3(INCH)
08.05.732	*	*	*	32	44,7	50,5	G1"	1 1/4"	1 1/2"

FULL BORE BRASS BALL VALVE WITH BUTTERFLY HANDLE - PN 40



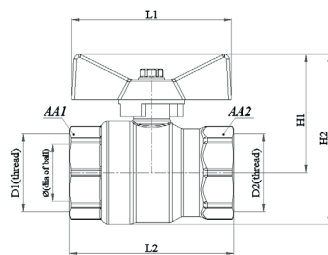
Standard	EN 13547
Working Temperature	-10°C/+100°C
Pressure Class	PN 40
Intended Use	Industrial Applications

Tds Qr Code



PRODUCT CODE	SIZE	PCS/BOX	PCS/GROSS	DN	D1(THREAD)	D2(THREAD)	Ø (DIA OF BALL)	AA1 (SW)	AA2 (SW)
08.03.530	1/2"	100	0,101	15	1/2"	1/2"	13	23,8	22
08.03.531	3/4"	80	0,157	20	3/4"	3/4"	19	29,4	29
08.03.532	1"	40	0,302	25	1"	1"	24	37	34

FULL BORE BRASS BALL VALVE WITH BUTTERFLY HANDLE - PN 40

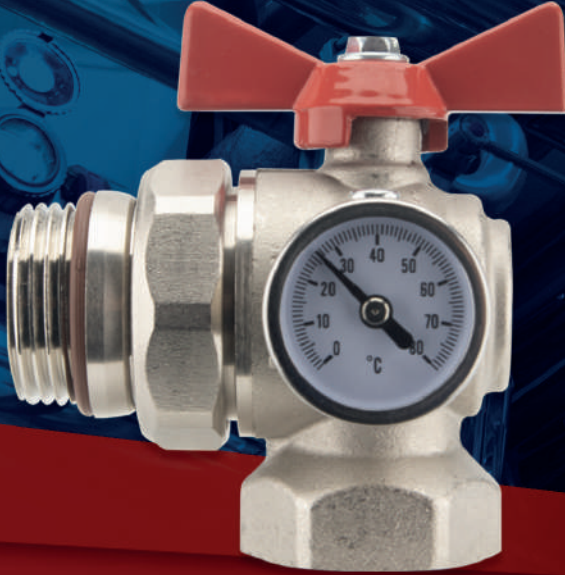


Standard	EN 13547
Working Temperature	-10°C/+100°C
Pressure Class	PN 40
Intended Use	Industrial Applications

Tds Qr Code



PRODUCT CODE	SIZE	PCS/BOX	PCS/GROSS	DN	D1(THREAD)	D2(THREAD)	Ø (DIA OF BALL)	L1	L2
08.04.530	1/2"	100	0,102	15	1/2"	1/2"	13	53,5	45
08.04.531	3/4"	80	0,160	20	3/4"	3/4"	19	53,5	54,5
08.04.532	1"	40	0,297	25	1"	1"	24	63,6	65



DN25 BUTTERFLY ANGLE BALL VALVE



KAS

Code
08.06.552

Working Temperature
-10°C/+100°C

Therm Range
80°C

Pressure Class
PN40

Therm Range
80°C


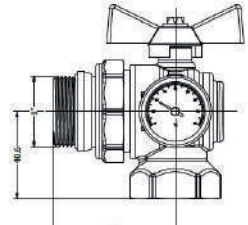

Code
08.07.552

Working Temperature
-10°C/+100°C


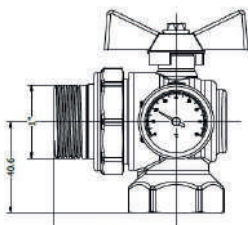

Pressure Class
PN40

Therm Range
80°C


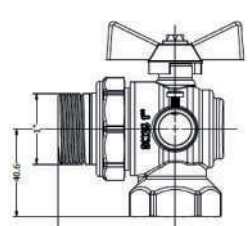

DN25 BUTTERFLY ANGLE BALL VALVE WITH THERMOMETER AND UNION CONNECTION + SEALED TYPE

			Standard	EN 13547							
			Working Temperature	-10°C/+100°C Therm Range 80°C							
			Pressure Class	PN40							
			Intended Use	Plumbing Systems							
			<table border="1"> <thead> <tr> <th>PRODUCT CODE</th> <th>SIZE</th> <th>PCS/BOX</th> <th>PCS/GROSS</th> <th>DN</th> </tr> </thead> <tbody> <tr> <td>08.06.552</td> <td>1"</td> <td>22</td> <td>0,515</td> <td>25</td> </tr> </tbody> </table>		PRODUCT CODE	SIZE	PCS/BOX	PCS/GROSS	DN	08.06.552	1"
PRODUCT CODE	SIZE	PCS/BOX	PCS/GROSS	DN							
08.06.552	1"	22	0,515	25							


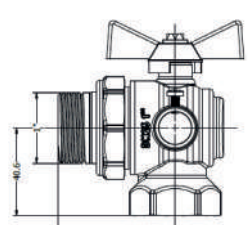

DN25 BUTTERFLY ANGLE BALL VALVE WITH THERMOMETER AND UNION CONNECTION

			Standard	EN 13547							
			Working Temperature	-10°C/+100°C Therm Range 80°C							
			Pressure Class	PN40							
			Intended Use	Plumbing Systems							
			<table border="1"> <thead> <tr> <th>PRODUCT CODE</th> <th>SIZE</th> <th>PCS/BOX</th> <th>PCS/GROSS</th> <th>DN</th> </tr> </thead> <tbody> <tr> <td>08.07.552</td> <td>1"</td> <td>40</td> <td>0,448</td> <td>25</td> </tr> </tbody> </table>		PRODUCT CODE	SIZE	PCS/BOX	PCS/GROSS	DN	08.07.552	1"
PRODUCT CODE	SIZE	PCS/BOX	PCS/GROSS	DN							
08.07.552	1"	40	0,448	25							

DN25 BUTTERFLY ANGLE BALL VALVE WITH UNION CONNECTION

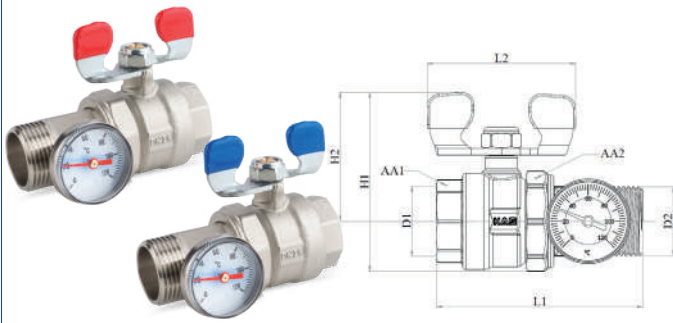
			Standard	EN 13547							
			Working Temperature	-10°C/+100°C Therm Range 80°C							
			Pressure Class	PN40							
			Intended Use	Plumbing Systems							
			<table border="1"> <thead> <tr> <th>PRODUCT CODE</th> <th>SIZE</th> <th>PCS/BOX</th> <th>PCS/GROSS</th> <th>DN</th> </tr> </thead> <tbody> <tr> <td>08.08.552</td> <td>1"</td> <td>40</td> <td>0,448</td> <td>25</td> </tr> </tbody> </table>		PRODUCT CODE	SIZE	PCS/BOX	PCS/GROSS	DN	08.08.552	1"
PRODUCT CODE	SIZE	PCS/BOX	PCS/GROSS	DN							
08.08.552	1"	40	0,448	25							


DN25 BUTTERFLY ANGLE BALL VALVE UNION CONNECTION + SEALED TYPE

			Standard	EN 13547							
			Working Temperature	-10°C/+100°C Therm Range 80°C							
			Pressure Class	PN40							
			Intended Use	Plumbing Systems							
			<table border="1"> <thead> <tr> <th>PRODUCT CODE</th> <th>SIZE</th> <th>PCS/BOX</th> <th>PCS/GROSS</th> <th>DN</th> </tr> </thead> <tbody> <tr> <td>08.09.552</td> <td>1"</td> <td>40</td> <td>0,448</td> <td>25</td> </tr> </tbody> </table>		PRODUCT CODE	SIZE	PCS/BOX	PCS/GROSS	DN	08.09.552	1"
PRODUCT CODE	SIZE	PCS/BOX	PCS/GROSS	DN							
08.09.552	1"	40	0,448	25							



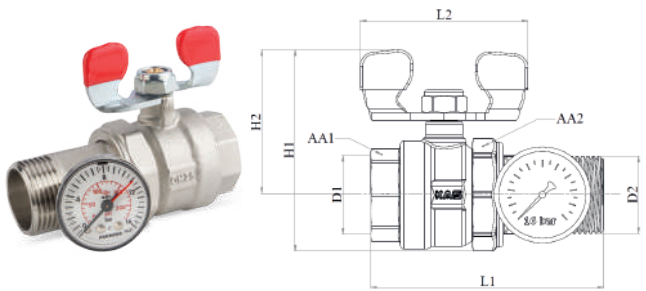
BUTTERFLY BRASS BALL VALVE PN 40 WITH THERMOMETER & UNION




Working Temperature	-10°C/+100°C
Pressure Class	PN 40
Intended Use	Plumbing Systems
Tds Qr Code	

PRODUCT CODE	SIZE	PCS/BOX	PCS/GROSS	DN	D1(THREAD)	D2(THREAD)	AA1	L1	L2
08.15.327	1"	22	0,556	25	1"	1"	36,5	98	70

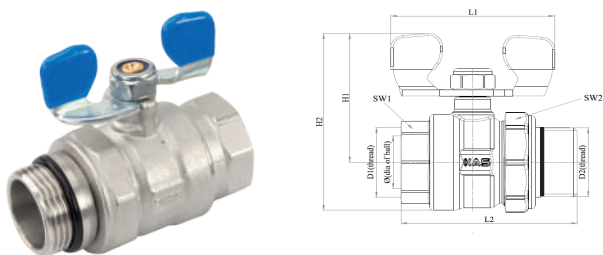
BUTTERFLY BRASS BALL VALVE PN 40 WITH MANOMETER & UNION




Working Temperature	-10°C/+100°C
Pressure Class	PN 40
Intended Use	Plumbing Systems
Tds Qr Code	

PRODUCT CODE	SIZE	PCS/BOX	PCS/GROSS	DN	D1(THREAD)	D2(THREAD)	AA1	L1	L2
08.16.327	1"	22	0,515	25	1"	1"	36,5	98	70

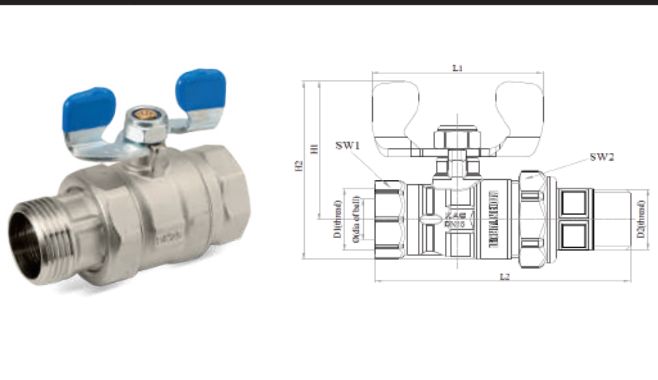

FULL BORE BRASS BALL VALVE WITH BUTTERFLY HANDLE WITH UNION



Working Temperature	-10°C/+100°C
Pressure Class	PN 40
Intended Use	Plumbing Systems
Tds Qr Code	

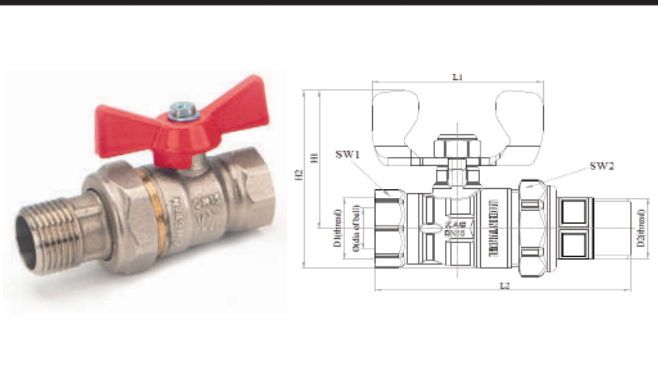

PRODUCT CODE	SIZE	PCS/BOX	PCS/GROSS
08.06.327	1"	40	0,454

FULL BORE BRASS BALL VALVE WITH BUTTERFLY HANDLE WITH UNION PN 25

	Working Temperature	-10°C/+100°C
	Pressure Class	PN 25
	Intended Use	Plumbing Systems
	Tds Qr Code	

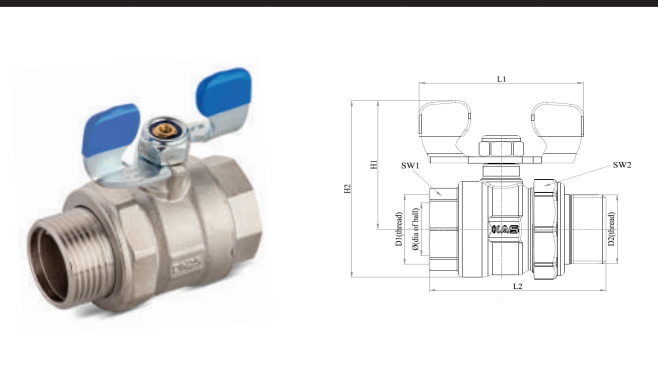

PRODUCT CODE	SIZE	PCS/BOX	PCS/GROSS	DN	D1(THREAD)	D2(THREAD)	Ø (DIA OF BALL)	L1	L2
08.05.430	1/2"	80	0,207	15	1/2"(Female)	1/2"(Male)	ø 14	56,5	82
08.05.431	3/4"	50	0,301	20	3/4"(Female)	3/4"(Male)	ø 17	56,5	91,4
08.05.327	1"	40	0,456	25	1"(Female)	1"(Male)	ø 25	69,5	91
08.05.329	1 1/4"	20	0,663	32	1 1/4"(Female)	1 1/4"(Male)	ø 29,5	68	113

FULL BORE BRASS BALL VALVE WITH BUTTERFLY HANDLE WITH UNION PN 40

	Working Temperature	-10°C/+100°C
	Pressure Class	PN 40
	Intended Use	Plumbing Systems
	Tds Qr Code	

PRODUCT CODE	SIZE	PCS/BOX	PCS/GROSS	DN	D1(THREAD)	D2(THREAD)	Ø (DIA OF BALL)	L1	L2
08.05.530	1/2"	80	0,170	15	1/2"	1/2"	13	53,5	73,5
08.05.531	3/4"	50	0,269	20	3/4"	3/4"	19	53,5	85,2

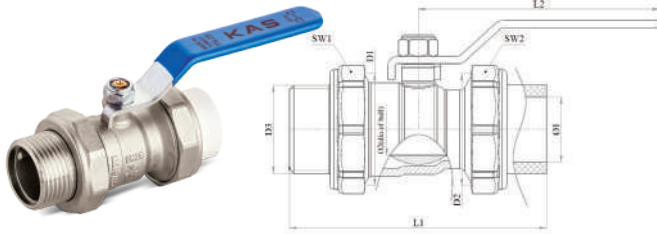
FULL BORE BRASS BALL VALVE WITH BUTTERFLY HANDLE WITH UNION PN 25

	Working Temperature	-10°C/+100°C
	Pressure Class	PN 25
	Intended Use	Plumbing Systems
	Tds Qr Code	

PRODUCT CODE	SIZE	PCS/BOX	PCS/GROSS	DN	D1(THREAD)	D2(THREAD)	Ø (DIA OF BALL)	L1	L2
08.08.327	1"	40	0,390	25	1"(Female)	1"(Male)	ø 25	68,5	75,6



WATER BALL VALVE WITH PPR CONNECTION (NIPPLE - PPR)



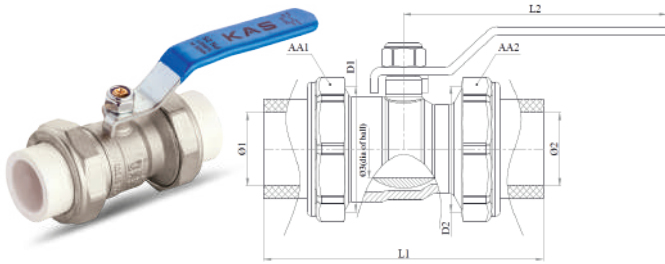
Working Temperature	-10°C/+100°C
Pressure Class	PN25
Intended Use	Plumbing Systems

Tds Qr Code



PRODUCT CODE	SIZE	PCS/BOX	PCS/GROSS	DN	D1(THREAD)	D2(THREAD)	Ø (DIA OF BALL)	L1	L2
08.08.730	3/4" - 20 mm	50	0,277	20	1"	1"	Ø 19,1	95,8	90
08.08.731	1" - 25 mm	40	0,402	25	1 1/4"	1 1/4"	Ø 24,2	95	90
08.08.732	1 1/4" - 32 mm	40	0,640	32	1 1/2"	1 1/2"	Ø 31,2	117,3	110

WATER BALL VALVE WITH PPR CONNECTION



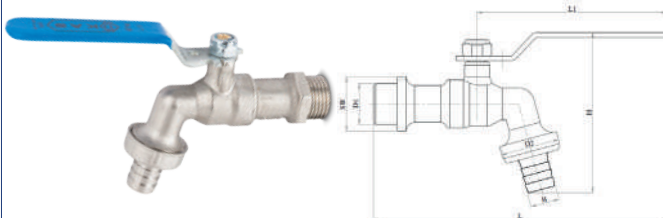
Working Temperature	-10°C / +100°C
Pressure Class	PN25
Intended Use	Plumbing Systems

Tds Qr Code



PRODUCT CODE	SIZE	PCS/BOX	PCS/GROSS	DN	D1(THREAD)	D2(THREAD)	D3(THREAD)	L1	L2
08.09.730	20 mm	50	0,235	20	1"	1	*	85	88
08.09.731	25 mm	40	0,364	25	1 1/4"	1 1/4"	*	95	90
08.09.732	32 mm	20	0,540	32	1 1/2"	1 1/2"	1 1/4"(MALE)	117,3	110

GARDEN BIBCOCK WITH STRAIGHT SLEEVE PN 25



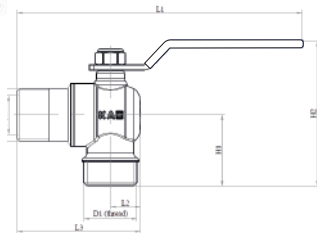
Working Temperature	-10°C / +80°C
Pressure Class	PN 25
Intended use	Water Supply Systems
Connections	Suitable for Hose etc.

Tds Qr Code



PRODUCT CODE	SIZE	PCS/BOX	PCS/GROSS	D1	D2	SW	B	L	L1
09.06.921	1/2"	50	0,215	1/2"	3/4"	23,8	14,5	148	93
09.03.922	3/4"	50	0,230	3/4"	3/4"	30	14,5	148	93

ANGLE BALL VALVE WITH HOSE CONNECTION PN 25



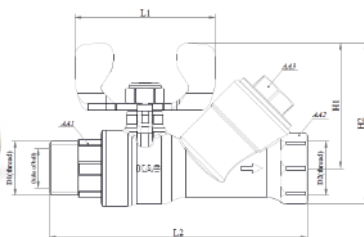
Standard	EN 13547
Working Temperature	-10 °C / +100 °C
Pressure Class	PN 40
Intended Use	Water Plumbing

Tds Qr Code



PRODUCT CODE	SIZE	PCS/BOX	PCS/GROSS	DN	D1(THREAD)	D2(THREAD)	Ø (DIA OF BALL)	L1	L2
10.01.370	3/4"	50	0,252	15	G 3/4"	Rp 1/2"	15	141+-1,5	14,8+-0,5
10.01.371	3/4"	50	0,253	15	G 3/4"	Rp 1/2"	15	141+-1,5	14,8+-0,5
10.01.372	3/4"	50	0,250	15	G 3/4"	R 1/2"	15	141+-1,5	15+-0,5

FULL BORE BRASS BALL VALVE WITH FILTER PN 40



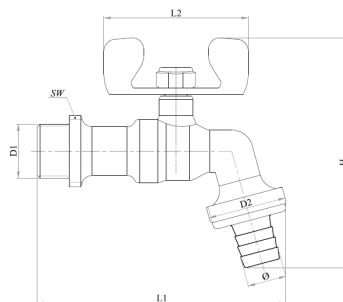
Working Temperature	-10°C/+100°C
Pressure Class	PN 40
Intended Use	Industrial Systems

Tds Qr Code



PRODUCT CODE	SIZE	PCS/BOX	PCS/GROSS	DN	D1(THREAD)	D2(THREAD)	SW 1	SW 2	SW 3
08.08.448	1/2"	60	0,303	15	1/2"	1/2"	22	26	16
08.08.449	3/4"	50	0,437	20	3/4"	3/4"	27	31	20

GARDEN BIBCOCK WITH BUTTERFLY HANDLE PN 25



Working Temperature	-10°C / +80°C
Pressure Class	PN 25
Intended Use	Water Supply Systems
Connections	Suitable for Hose etc.

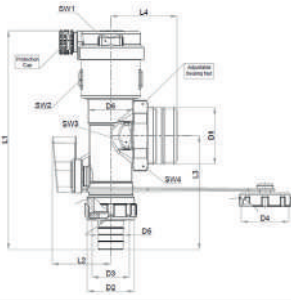
Tds Qr Code



PRODUCT CODE	SIZE	PCS/BOX	PCS/GROSS	D1	D2	SW	Ø (DIA OF BALL)	L1	L2
09.07.921	1/2"	50	0,197	1/2"	3/4"	24	14,5	93	57
09.04.922	3/4"	50	0,216	3/4"	3/4"	30	20,8	98,5	57



GATE VALVE

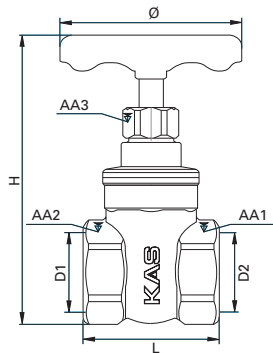


Working Temperature	Max. 110°C
Working Pressure	Max 10 bar
Intended Use	Water Installation

Tds Qr Code

PRODUCT CODE	SIZE	PCS/BOX	PCS/GROSS	DN	D1(THREAD)	D2(THREAD)	D3(THREAD)	D4(THREAD)	D5
18.21.351	*	*	*	*	1"	3/4"	1/2"	3/4"	Ø14,5

GATE VALVE

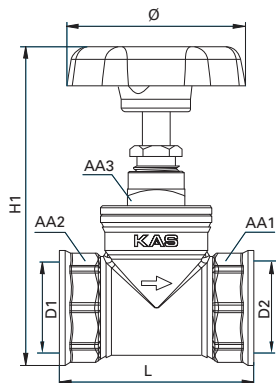


Standard	TS EN 12288
Working Temperature	0 °C / +100 °C
Pressure Class	PN 16
Intended Use	Water Plumping

Tds Qr Code

PRODUCT CODE	SIZE	PCS/BOX	PCS/GROSS	DN	D1(THREAD)	D2(THREAD)	Ø (DIA OF BALL)	A1	A2
11.01.850	1/2"	60	0,210	15	Rp 1/2"	Rp 1/2"	57	27	27
11.01.951	3/4"	50	0,193	20	Rp 3/4"	Rp 3/4"	57	31	31
11.01.852	1"	30	0,445	25	Rp 1"	Rp 1"	71	41	41

STOP VALVE



Standard	TS EN 12288
Working Temperature	0°C / +100°C
Pressure Class	PN 10
Intended Use	Water Plumping

Tds Qr Code

PRODUCT CODE	SIZE	PCS/BOX	PCS/GROSS	DN	D1(THREAD)	D2(THREAD)	Ø (DIA OF BALL)	SW1	SW2
11.02.850	1/2"	60	0,193	15	*	*	*	*	*
11.02.851	3/4"	40	0,221	20	3/4"	3/4"	51,5	29,8	29,8
11.02.852	1"	30	0,401	25	*	*	*	*	*

FLOAT WITH BS CONNECTION

	Working Temperature	0°C/+80°C
	Working Pressure	6 Bar
	Intended Use	Plumbing System
	Tds Qr Code	

PRODUCT CODE	SIZE	PCS/BOX	PCS/GROSS	DN	D1(THREAD)	D2(THREAD)	L1	L2	L3
80.72.540	1/2"	50	0,278	15	117	127	219,5	29,3	30
80.72.541	3/4"	50	0,296	20	117	127	221	29,3	30
80.72.542	1"	50	0,335	25	117	127	30	30	26,5

STANDARD FLOAT VALVE

	Working Temperature	0°C/+80°C
	Working Pressure	6 Bar
	Intended Use	Plumbing System
	Tds Qr Code	

PRODUCT CODE	SIZE	PCS/BOX	PCS/GROSS	DN	D1	D2	L1	L2	L3
80.71.540	1/2"	50	0,271	15	ø 117	1/2"	197	36,2	16,3
80.71.541	3/4"	50	0,310	20	ø 117	3/4"	196	35,4	18,3
80.71.542	1"	50	0,360	25	ø 117	1"	189	37	20,7
80.71.543	1 1/4"	20	0,885	32	ø196	ø23	269	28,4	47
80.71.544	1 1/2"	20	0,923	40	ø196	ø23	275	30,5	47
80.71.545	2"	20	1,068	50	ø196	ø23	275	32,8	47



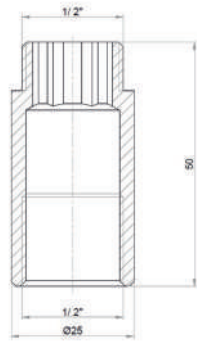
INTERVAL TAP



Working Temperature(Max.)	-5 °C / +65 °C
Usage Area	Water Installation
Flow Pressure	Min. 1 Bar / Max. 5 Bar
Static (Installation) Pressure	PN10
Tds Qr Code	

PRODUCT CODE	SIZE	PCS/BOX	PCS/GROSS	H	H1	A	B
01.03.177	1/2"	80	0,200	86 mm	36 mm	1/2"	1/2"
01.03.178	1/2"	80	0,210	99 +/-2mm	26 +/-0,5mm	1/2"	1/2"
01.03.180	1/2"	80	0,190	89 mm	42 mm	1/2"	1/2"

LENGTHENING FITTINGS



Intended Use	Plumbing Systems
Tds Qr Code	

PRODUCT CODE	SIZE	PCS/BOX	PCS/GROSS	DN	L1	L2	L3	D1 (THREAD)	D2 (THREAD)
80.01.101	1 cm - 1/2"	500	0,029	15	20	7	10	1/2"	1/2"
80.01.102	1,5 cm - 1/2"	400	0,034	15	25	10	10	1/2"	1/2"
80.01.103	2 cm - 1/2"	300	0,046	15	30	14,5	10	1/2"	1/2"
80.01.104	2,5 cm - 1/2"	250	0,053	15	35	18,5	10	1/2"	1/2"
80.01.105	3 cm - 1/2"	200	0,060	15	40	16	10	1/2"	1/2"
80.01.106	4 cm - 1/2"	175	0,076	15	50	20	10	1/2"	1/2"
80.01.107	5 cm - 1/2"	150	0,093	15	60	20	10	1/2"	1/2"

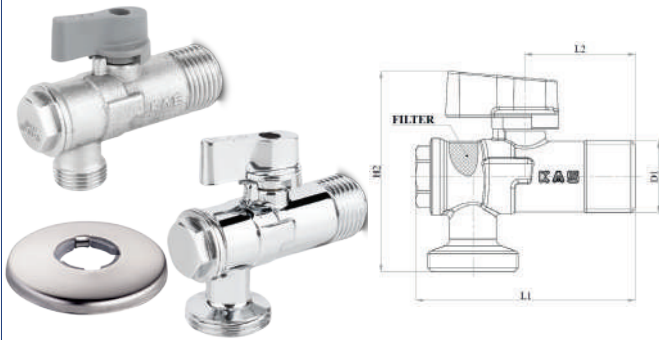
LENGTHENING FITTINGS



Intended Use	Installation Systems
Tds Qr Code	

PRODUCT CODE	SIZE	PCS/BOX	PCS/GROSS	L1	L2	L3	D1 (THREAD)	D2 (THREAD)	D3
80.04.160	1/2" - 3/4"	250	0,052	26	12	10	1/2"	3/4"	30
80.04.175	3/4"	100	0,092	49	11	*	3/4"	19	3/4"
80.04.176	3/4"	100	0,102	51,5	12	22,7	3/4"	21	3/4"
80.04.180	1/2"	100	0,080	48	9,7	20,4	1/2"	16,3	1/2"
80.04.185	3/4"	100	0,097	44	10,5	*	3/4"	17,8	30

FILTERED TAP



Working Temperature	Max. 80°C
Pressure Class	PN 10
Intended Use	Water Installation
Tds Qr Code	

PRODUCT CODE	SIZE	PCS/BOX	PCS/GROSS	DN	D1	D2	L1	L2	H1
01.07.179	1/2" - 3/8"	160	0,110	15	1/2"	3/8"	63,4	31,9	23
01.07.180	1/2" - 1/2"	130	0,110	15	1/2"	1/2"	63,4	31,9	27,4
01.06.173	1/2" - 3/4"	100	0,126	15	1/2"	3/4"	63,4	31,9	27,4
01.05.173	1/2" - 3/4" Matte Style	100	0,126	15	1/2"	3/4"	63,4	31,9	27,4

PRODUCT CODE	SIZE	PCS/BOX	PCS/GROSS	L	D1	D2	T
01.03.170	-	-	-	5,5	62	21,4	0,4
01.03.171	Only Shiny Part of Tap	600	0,012	7	50	20,6	0,4



Combined Air Separator

Heating System Accessories

Measurement Ranges: 0-4 bar

Working Pressure: %75 of Full Scale

Overpressure Resistance: 1,25x Full Scale

Working Temperature Range: -20 + 60 °C

Connections: G 1/4" Bottom

Note: Other pressure ranges can be ordered.



Automatic Air Vent

Working Temperature: 110 °C

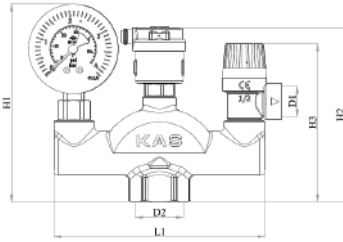
Working Pressure: 10 bar max.

Safety Valve-Fixed Setting

Working Pressure: 3 bar

Other pressure ranges can be ordered. Manometers which has different pressure valves should be preferred for other pressure ratings.

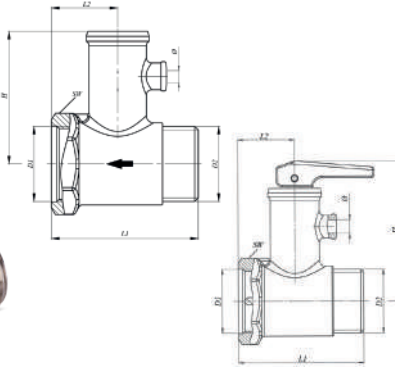
COMBINED AIR SEPARATOR



Working Temperature(Max.)	Max. 110°C
Usage Area	Central Heating Systems
Flow Pressure	Max. 10 bar
Tds Qr Code	

PRODUCT CODE	SIZE	PCS/BOX	PCS/GROSS	D1	D2	L1	H1	H2	H3
80.60.710	1"	6	0,992	1/2"	1"	146,5	140	120,5	113

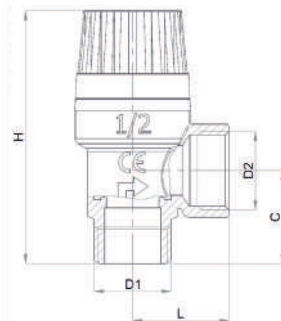
SAFETY VALVE



Standard	ISO - 4126
Working Temperature	-20°C / +60°C
Pressure Class	PN 16
Intended Use	Plumbing Systems
Tds Qr Code	

PRODUCT CODE	SIZE	PCS/BOX	PCS/GROSS	DN	L1	L2	D1 (thread)	D2 (THREAD)	H
71.01.508	1/2"	250	0,075	15	42,5	16	1/2"	1/2"	37,5
71.01.509	1/2"	250	0,083	15	42,5	16,5	1/2"	1/2"	48

SAFETY VALVE-FIXED SETTING

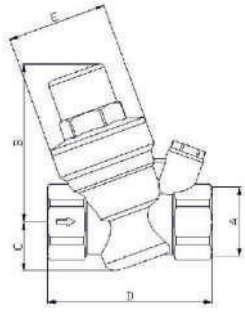


Working Temperature(Max.)	Max. 110°C
Usage Area	Plumbing System
Flow Pressure	Max. 10 bar
Tds Qr Code	

PRODUCT CODE	SIZE	PCS/BOX	PCS/GROSS	H	D1	D2	L	C
71.10.601-3	1/2"	20	0,090	67,48	1/2"	1/2"	25,7	24,8
71.10.601-5	1/2"	20	0,090	67,48	1/2"	1/2"	25,7	24,8
71.10.601-6	1/2"	20	0,090	67,48	1/2"	1/2"	25,7	24,8



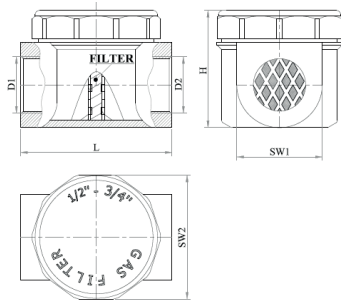
PRESSURE REDUCING VALVE



Working Temperature(Max.)	80°C
Usage Area	Water System
Flow Pressure	PN 16
Tds Qr Code	

PRODUCT CODE	SIZE	PCS/BOX	PCS/GROSS	A	B	C	D	E	L/MIN
71.07.620	1/2"	*	0,350	1/2"	73	22	70,5	46	17,5
71.07.621	3/4"	*	0,398	3/4"	72,5	22,5	75,5	46	26,7
71.07.622	1"	*	0,431	1"	72	23	84	46	50
71.07.623	*	*	*	1 1/4"	86	28,5	92	59	
71.07.624	*	*	*	*	*	*	*	*	*
71.07.625	*	*	*	*	*	*	*	*	*
71.07.626	*	*	*	*	*	*	*	*	*
71.07.627	*	*	*	*	*	*	*	*	*
71.07.628	*	*	*	*	*	*	*	*	*

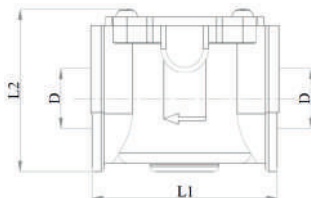
GAS FILTER



Working Temperature	-20°C / +60°C
Working Pressure	Mop 5
Intended Use	Gas Application
Tds Qr Code	

PRODUCT CODE	SIZE	PCS/BOX	PCS/GROSS	D1(THREAD)	D2(THREAD)	SW1	SW2	L	H
Standart									
80.32.820	1/2"	70	0,250	1/2"	1/2"	31,2	45	55	43
Economic									
11.03.821	3/4"	70	0,198	3/4"	3/4"	31	36	43,8	52

ALUMINIUM GAS FILTER



Standard	TS EN 126
Working Temperature	-15 °C / +60 °C
Pressure Class	PN 2 Bar
Intended Use	Gas Application
Tds Qr Code	

PRODUCT CODE	SIZE	PCS/BOX	PCS/GROSS	DN	L1	L2	D (THREAD)	FILTRATION
Standart								
80.32.830	1/2"	*	*	15	69,5	61,4	1/2"	10 µm
Economic								
80.32.831	3/4"	*	*	20	69,5	61,4	3/4"	20 µm

THERMOSTATIC RADIATOR VALVE SET (ANGLE TYPE)



Working Temperature	-20°C / +60°C
Working Pressure	Mop 5
Pressure Class	PN 10
Intended Use	Heating Application

Tds Qr Code	
--------------------	--

PRODUCT CODE	SIZE	PCS/BOX	PCS/GROSS	DN	D1(THREAD)	D2(THREAD)	L1(MAX-MIN)	L2	SW1
13.02.305-KAS	1/2"	20	0,490	15	1/2"	1/2"	119 - 114	54,3	30

The technical data applies to the thermostatic valve for detailed information, please scan the qr code.

ANGLE THERMOSTATIC RADIATOR VALVE WITH BLISTER PACKAGING (PEX)



Working Temperature	120°C
Pressure Class	PN 10
Intended Use	Heating Systems
Set-Up Range of Head	+5°C - Max: +29°C

Tds Qr Code	
--------------------	--

PRODUCT CODE	SIZE	PCS/BOX	PCS/GROSS	DN	D1	D2	D3	L1	L2
13.70.002	1/2" Pex	30	0,520	15	Rp 1/2"	G 1/2"	M30 x 1,5	133 - 139	53

**The technical data applies to the thermostatic valve for detailed information, please scan the qr code.

ANGLE THERMOSTATIC RADIATOR VALVE WITH BLISTER PACKAGING



Working Temperature	120°C
Pressure Class	PN 10
Intended Use	Heating Systems
Set-Up Range of Head	+5°C - Max: +29°C

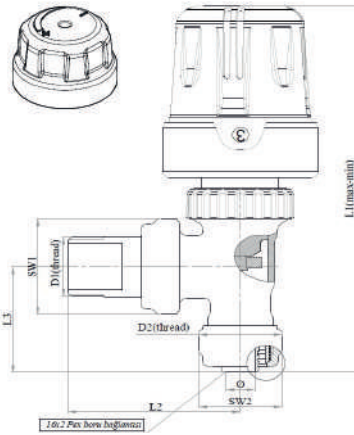
Tds Qr Code	
--------------------	--

PRODUCT CODE	SIZE	PCS/BOX	PCS/GROSS	DN	D1	D2	D3	L1	L2
13.70.001	1/2"	30	0,497	15	1/2"	1/2"	M30 x 1,5	119 - 125	53

**The technical data applies to the thermostatic valve for detailed information, please scan the qr code.



ANGLE THERMOSTATIC RADIATOR VALVE



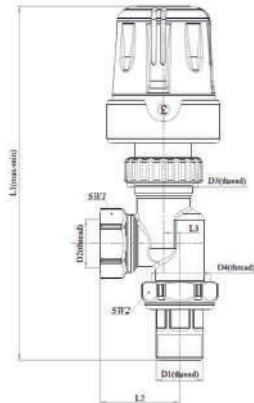
Standard	Ts En 215
Working Temperature	120°C
Pressure Class	PN 10
Set-Up Range of Head	+5°C - Max: +29°C

Tds Qr Code



PRODUCT CODE	SIZE	PCS/BOX	PCS/GROSS	DN	D1(THREAD)	D2(THREAD)	L1(MAX-MIN)	L2	SW1
13.15.014	1/2" Pex	30	0,351	15	1/2"	1/2"	133-127	53,5	30
13.02.001	1/2"	30	0,317	15	1/2"	1/2"	119 - 114	54,3	30

AXIAL THERMOSTATIC RADIATOR VALVE



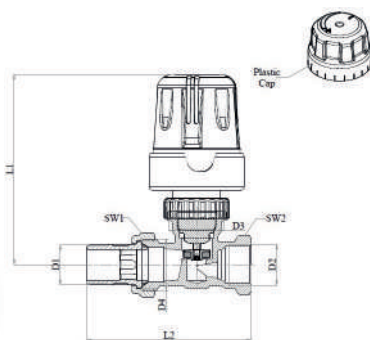
Standard	Ts En 215
Working Temperature	120°C
Pressure Class	PN10
Intended Use	Heating Systems
Set-Up Range of Head	+5 °C – Max:+29 °C

Tds Qr Code



PRODUCT CODE	SIZE	PCS/BOX	PCS/GROSS	DN	D1(THREAD)	D2(THREAD)	D3(THREAD)	D4(THREAD)	SW1
13.09.007	1/2"	30	0,361	15	1/2"	1/2"	M30x1,5	3/4"	27

STRAIGHT THERMOSTATIC RADIATOR VALVE



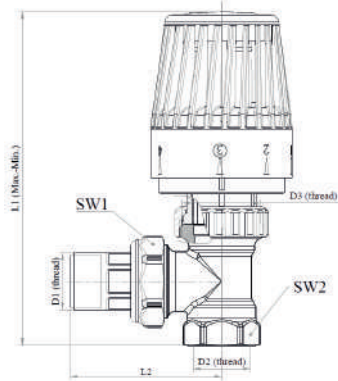
Standard	Ts En 215
Working Temperature	120°C
Pressure Class	PN10
Intended Use	Heating Systems
Set-Up Range of Head	+5 °C – Max:+29 °C

Tds Qr Code



PRODUCT CODE	SIZE	PCS/BOX	PCS/GROSS	DN	D1	D2	D3	L1	L2
13.04.009	1/2"	30	0,253	15	1/2"	1/2"	M30x1,5	98	84,5

ANGLE THERMOSTATIC RADIATOR VALVE



Working Temperature	120°C
Pressure Class	PN 10
Intended Use	Heating Systems
Set-Up Range of Head	+5°C - Max: +29°C

Tds Qr Code



PRODUCT CODE	SIZE	PCS/BOX	PCS/GROSS	DN	D1	D2	D3	L1	L2
13.40.001	1/2"	30	0,178	15	1/2"	1/2"	M30 x 1,5	119 - 125	53
13.40.014	1/2" Pex	30	0,202	15	Rp 1/2"	G 1/2"	M30 x 1,5	133 - 139	53

VALVE INSERTS FOR RADIATORS



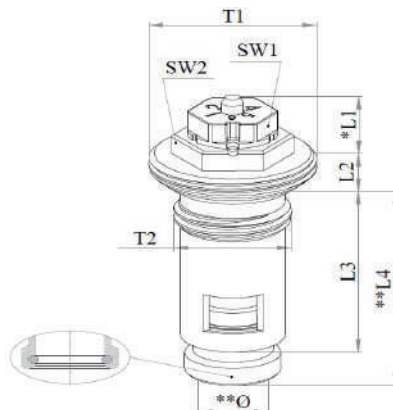
Standard	Ts En 215
Working Temperature	120 °C
Pressure Class	PN 10
Intended Use	Heating Systems

Tds Qr Code



PRODUCT CODE	SIZE	PCS/BOX	PCS/GROSS	DN	T1(THREAD)	T2(THREAD)	∅	L1	L2
23.60.001	Valve Insert	30	0,065	15	M30x1,5	1/2"	∅12,3	11,5	5
23.60.003	Valve Insert (For Aluminium)	30	0,160	15	M30x1,5	M22x1,5	∅19,2	15	6,1
23.60.004	Valve Insert (For Aluminium)	30	0,105	15	M30x1,5	1/2"	∅18,5	15	6,1
23.60.005	Valve Insert (For Aluminium)	30	0,110	15	M30x1,5	1/2"	∅18,5	15	6,1
23.60.006	Valve Insert (For Aluminium)	30	0,063	15	M30x1,5	1/2"	∅16,7	11,8	5

* Can be fixed to 15 °C min.






▶ Sealed Type PEX Connection

High Strength & Reliable Performance
Maximum Operating Temperature: 120°C
Maximum Operating Pressure: 10 Bar
Application: Heating Systems
Standard: TS 579



STRAIGHT RADIATOR VALVE - (PEX)




Standart	TS 579
Max. Working Temperature	120°C
Pressure Class	PN 10
Intended Use	Heating Systems
Tds Qr Code	

PRODUCT CODE	SIZE	PCS/BOX	PCS/GROSS	DN	D1(THREAD)	D2(THREAD)	D3(THREAD)	SW1	SW2
04.04.301-01	1/2" Pex	50	0,250	15	1/2"	3/4"	1/2"	27	24

STRAIGHT RADIATOR VALVE - SEALED TYPE (PEX)

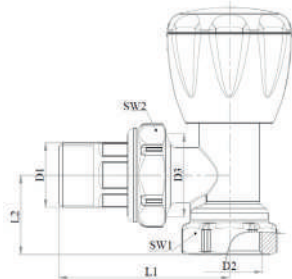


Standart	TS 579
Max. Working Temperature	120°C
Pressure Class	PN 10
Intended Use	Heating Systems
Tds Qr Code	

PRODUCT CODE	SIZE	PCS/BOX	PCS/GROSS	DN	D1(THREAD)	D2(THREAD)	D3(THREAD)	SW1	SW2
04.17.301-01	1/2" Pex	30	0,520	15	1/2"	3/4"	1/2"	27	24



ANGLE RADIATOR VALVE



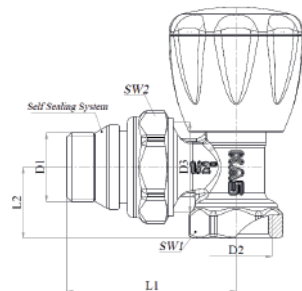
Standart	TS 579
Max. Working Temperature	120°C
Pressure Class	PN 10
Intended Use	Heating Systems

Tds Qr Code



PRODUCT CODE	SIZE	PCS/BOX	PCS/GROSS	DN	D1(THREAD)	D2(THREAD)	D3(THREAD)	SW1	SW2
04.01.303-01	1/2"	50	0,191	15	1/2"	1/2"	3/4"	27	30
04.01.307-01	1/2"	50	0,166	15	1/2"	3/4"	1/2"	27	30
04.14.307-01	1/2"	50	0,147	15	1/2"	1/2"	3/4"	25	30

ANGLE RADIATOR VALVE SEALED TYPE



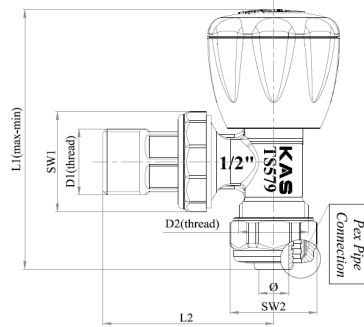
Standart	TS 579
Max. Working Temperature	120°C
Pressure Class	PN 10
Intended Use	Heating Systems

Tds Qr Code



PRODUCT CODE	SIZE	PCS/BOX	PCS/GROSS	DN	D1(THREAD)	D2(THREAD)	D3(THREAD)	L1	L2
04.08.303-01	1/2"	50	0,195	15	1/2"	1/2"	3/4"	50,5	25,3
04.08.307-01	1/2"	50	0,170	15	1/2"	1/2"	3/4"	48,5	23,9
04.15.307-01	1/2"	50	0,158	15	1/2"	1/2"	3/4"	48,5	20,9

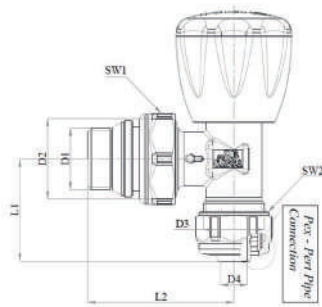
ANGLE RADIATOR VALVE (PEX)



Standart	TS 579
Max. Working Temperature	120°C
Pressure Class	PN 10
Intended Use	Heating Systems
Tds Qr Code	

PRODUCT CODE	SIZE	PCS/BOX	PCS/GROSS	DN	D1(THREAD)	D2(THREAD)	L1(MAX-MIN)	L2	D4
04.01.308-01	1/2"	50	0,196	15	1/2"	3/4"	33,5	53,7	Ø9
04.01.309-01	1/2"	50	0,176	15	1/2"	3/4"	33,5	52	Ø9
04.14.309-01	1/2"	50	0,170	15	RP 1/2"	G 1/2"	80,9 - 88,9	51	Ø9

ANGLE RADIATOR VALVE SEALED TYPE (PEX)

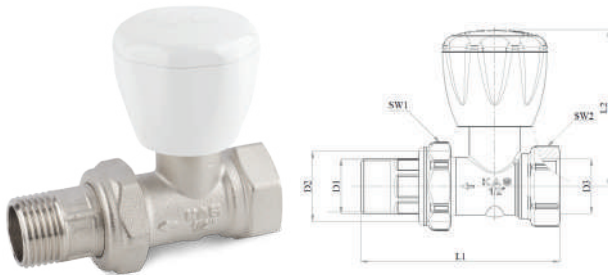


Standart	TS 579
Max. Working Temperature	120°C
Pressure Class	PN 10
Intended Use	Heating Systems
Tds Qr Code	

PRODUCT CODE	SIZE	PCS/BOX	PCS/GROSS	DN	D1(THREAD)	D2(THREAD)	D3(THREAD)	SW1	SW2
04.08.308-01	1/2" 16x2	50	0,210	15	1/2"	3/4"	1/2"	30	24
04.15.309-01	1/2" 16x2	50	0,180	15	1/2"	3/4"	1/2"	30	24



STRAIGHT RADIATOR VALVE



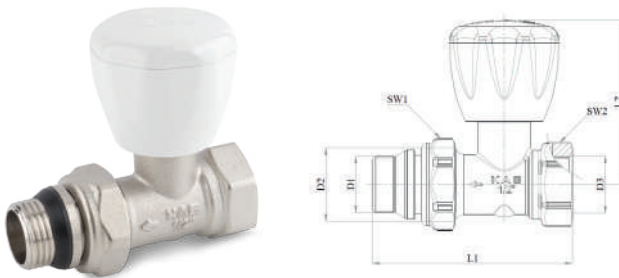
Standard	TS 579
Max. Working Temperature	120°C
Pressure Class	PN 10
Intended Use	Heating Systems

Tds Qr Code



PRODUCT CODE	SIZE	PCS/BOX	PCS/GROSS	DN	D1(THREAD)	D2(THREAD)	D3(THREAD)	SW1	SW2
04.02.301-01	1/2"	50	0,200	15	1/2"	1/2"	3/4"	30	27
04.05.311-01	3/4"	50	0,265	20	3/4"	3/4"	1"	37	30

STRAIGHT RADIATOR VALVE - SEALED TYPE



Standard	TS 579
Max. Working Temperature	120°C
Pressure Class	PN 10
Intended Use	Heating Systems

Tds Qr Code



PRODUCT CODE	SIZE	PCS/BOX	PCS/GROSS	DN	D1(THREAD)	D2(THREAD)	D3(THREAD)	SW1	SW2
Sealed Type									
04.08.301-01	1/2"	50	0,203	15	1/2"	3/4"	1/2"	27	30
04.06.311-01	3/4"	50	0,266	*	*	*	*	*	*

ANGLE RADIATOR VALVE FOR COPPER PIPE CONNECTION

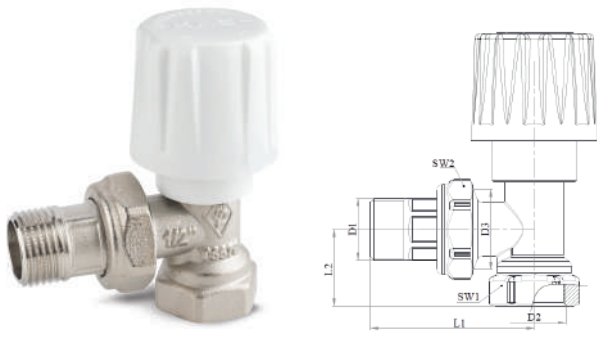
	Standart		TS 579							
	Max. Working Temperature		120°C							
	Pressure Class		PN 10							
	Intended Use		Heating Systems							
	Tds Qr Code									
PRODUCT CODE	SIZE	PCS/BOX	PCS/GROSS	DN	L1	L2	D1(INCH)	D2(INCH)	D3	
04.01.304-01	1/2"	50	0,195	15	31	54	1/2"	3/4"	Ø15,2	


ANGLE RADIATOR VALVE FOR COPPER PIPE CONECTION

	Standard		TS 579							
	Max. Working Temperature		120°C							
	Pressure Class		PN 10							
	Intended Use		Heating Systems							
	Tds Qr Code									
PRODUCT CODE	SIZE	PCS/BOX	PCS/GROSS	DN	L1	L2	D1(INCH)	D2(INCH)	D3	
04.01.304	1/2"	50	0,205	15	31	54	1/2"	3/4"	15,2	



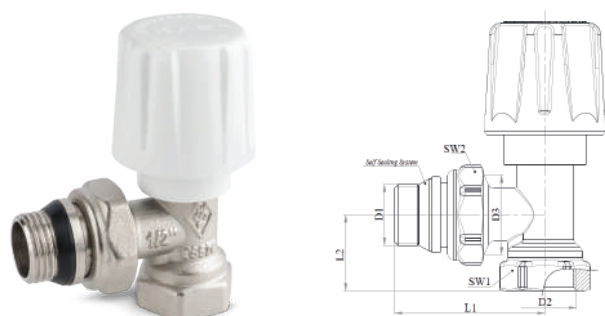
ANGLE RADIATOR VALVE




Standard	TS 579
Max. Working Temperature	120°C
Pressure Class	PN 10
Intended Use	Heating Systems
Tds Qr Code	

PRODUCT CODE	SIZE	PCS/BOX	PCS/GROSS	DN	D1(THREAD)	D2(THREAD)	D3(THREAD)	SW1	SW2
04.01.303	1/2"	50	0,201	15	1/2"	1/2"	3/4"	27	30
04.01.307	1/2"	50	0,176	15	1/2"	1/2"	*	27	30
04.14.307	1/2"	50	0,157	15	1/2"	1/2"	3/4"	25	30
04.05.310	3/4	50	0,201	20	3/4"	3/4"	1"	30	37,5

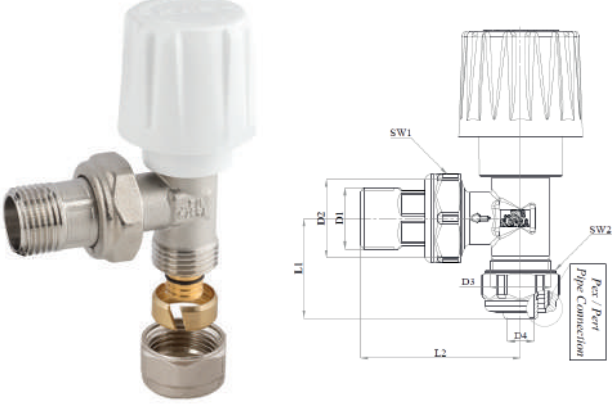



ANGLE RADIATOR VALVE SEALED TYPE



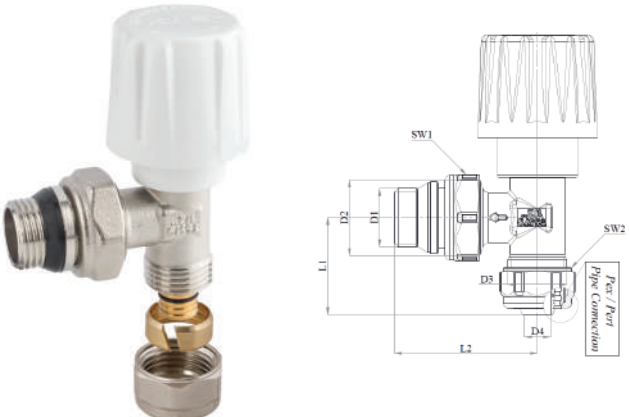



Standard	TS 579
Working Temperature	Max. 120°C
Pressure Class	Max. 10 Bar
Intended Use	Heating Systems
Tds Qr Code	

PRODUCT CODE	SIZE	PCS/BOX	PCS/GROSS	DN	D1(THREAD)	D2(THREAD)	D3(THREAD)	SW1	SW2
04.08.303	1/2"	50	0,205	15	1/2"	1/2"	3/4"	27	30
04.08.307	1/2"	50	0,180	15	1/2"	1/2"	3/4"	27	30
04.15.307	1/2"	50	0,168	15	1/2"	1/2"	3/4"	24,7	30
04.06.310	3/4	50	0,205	20	3/4"	3/4"	1"	37	30

ANGLE RADIATOR VALVE (PEX)

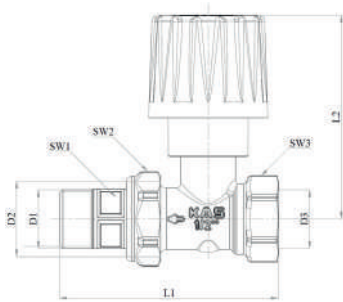
	<table border="1"> <tr> <td>Standard</td> <td>TS 579</td> </tr> <tr> <td>Max. Working Temperature</td> <td>120°C</td> </tr> <tr> <td>Pressure Class</td> <td>PN 10</td> </tr> <tr> <td>Intended Use</td> <td>Heating Systems</td> </tr> </table>		Standard	TS 579	Max. Working Temperature	120°C	Pressure Class	PN 10	Intended Use	Heating Systems
	Standard	TS 579								
Max. Working Temperature	120°C									
Pressure Class	PN 10									
Intended Use	Heating Systems									
<table border="1"> <tr> <td>Tds Qr Code</td> <td>  </td> </tr> </table>		Tds Qr Code								
Tds Qr Code										
PRODUCT CODE	SIZE	PCS/BOX	PCS/GROSS	DN	D1(THREAD)	D2(THREAD)	D3(THREAD)	D4	SW1	
04.01.308	1/2"	50	0,206	15	1/2"	3/4"	1/2"	Ø9	30	
04.01.309	1/2"	50	0,186	15	1/2"	3/4"	1/2"	Ø9	30	
04.14.309	1/2"	50	0,180	15	1/2"	1/2"	1/2"	Ø9	30	

ANGLE RADIATOR VALVE SEALED TYPE (PEX)

	<table border="1"> <tr> <td>Standard</td> <td>TS 579</td> </tr> <tr> <td>Max. Working Temperature</td> <td>120°C</td> </tr> <tr> <td>Pressure Class</td> <td>PN 10</td> </tr> <tr> <td>Intended Use</td> <td>Heating Systems</td> </tr> </table>		Standard	TS 579	Max. Working Temperature	120°C	Pressure Class	PN 10	Intended Use	Heating Systems
	Standard	TS 579								
Max. Working Temperature	120°C									
Pressure Class	PN 10									
Intended Use	Heating Systems									
<table border="1"> <tr> <td>Tds Qr Code</td> <td>  </td> </tr> </table>		Tds Qr Code								
Tds Qr Code										
PRODUCT CODE	SIZE	PCS/BOX	PCS/GROSS	DN	D1(THREAD)	D2(THREAD)	D3(THREAD)	D4	SW1	
04.08.308	1/2" 16x2	50	0,220	15	1/2"	3/4"	1/2"	Ø9	30	
04.15.309	1/2" 16x2	50	0,190	15	1/2"	3/4"	1/2"	Ø9	30	



STRAIGHT RADIATOR VALVE



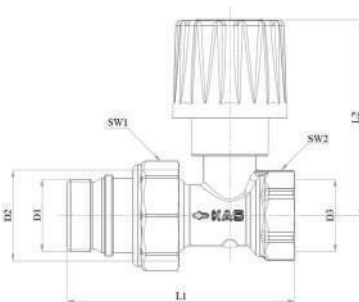
Standard	TS 579
Max. Working Temperature	120°C
Pressure Class	PN 10
Intended Use	Heating Systems

Tds Qr Code



PRODUCT CODE	SIZE	PCS/BOX	PCS/GROSS	DN	D1	D2	D3	SW1	SW2
04.02.301	1/2"	50	0,210	15	1/2"	3/4"	1/2"	18,8	30
04.05.311	3/4"	50	0,275	15	3/4"	1"	3/4"	24,7	37,5
04.04.301	1/2" Pex	50	0,260	15	1/2"	3/4"	1/2"	27	24

STRAIGHT RADIATOR VALVE - SEALED TYPE



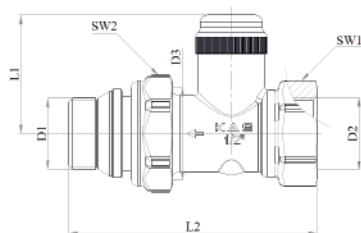
Standard	TS 579
Max. Working Temperature	120°C
Pressure Class	PN 10
Intended Use	Heating Systems

Tds Qr Code



PRODUCT CODE	SIZE	PCS/BOX	PCS/GROSS	DN	D1	D2	D3	SW1	SW2
04.08.301	1/2"	50	0,213	15	1/2"	3/4"	1/2"	30	27
04.06.311	3/4"	50	0,276	20	3/4"	1"	3/4"	37	30

LOCKSHIELD RADIATOR VALVE STRAIGHT SEALED TYPE



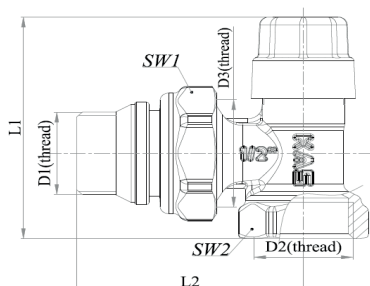
Standard	TS 579
Working Temperature	Max. 120°C
Working Pressure	Max. 10 Bar
Intended Use	Heating Systems

Tds Qr Code



PRODUCT CODE	SIZE	PCS/BOX	PCS/GROSS	DN	L1	L2	D1(INCH)	D2(INCH)	D3(INCH)
04.10.301	1/2"	100	0,203	15	33,5	72,5	1/2"	1/2"	3/4"

LOCKSHIELD ANGLE RADIATOR VALVE SEALED TYPE



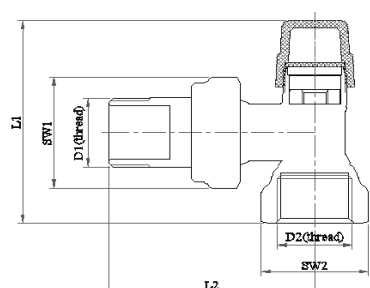
Working Temperature	Max. 120°C
Working Pressure	Max. 10 Bar
Intended Use	Heating Systems

Tds Qr Code



PRODUCT CODE	SIZE	PCS/BOX	PCS/GROSS	DN	D1(THREAD)	D2(THREAD)	D3(THREAD)	L1	L2
04.10.305	1/2"	100	0,135	15	1/2"	1/2"	3/4"	53,5	48
04.10.308	1/2" Pex	100	0,182	15	1/2"	1/2"	3/4"	59,2	50

LOCKSHIELD ANGLE RADIATOR VALVE



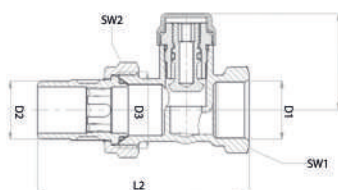
Standard	Ts 579
Working Pressure	Max. 10 Bar
Intended Use	Heating Systems
Working Temperature	Max. 120°C

Tds Qr Code



PRODUCT CODE	SIZE	PCS/BOX	PCS/GROSS	DN	D1(THREAD)	D2(THREAD)	L1	L2	SW1
04.04.305	1/2" 16x2	100	0,125	15	1/2"	1/2"	53,5	52	30
04.04.308	1/2" Corner Pex 16x2	100	0,150	15	1/2"	3/4"	33	24	30

LOCKSHIELD RADIATOR VALVE STRAIGHT TYPE



Standard	TS 579
Working Temperature	Max. 120°C
Working Pressure	Max. 10 Bar
Intended Use	Heating Systems

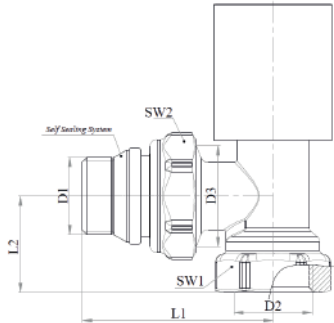
Tds Qr Code



PRODUCT CODE	SIZE	PCS/BOX	PCS/GROSS	DN	D1(THREAD)	D2(THREAD)	D3(THREAD)	L1	L2
04.03.301	1/2"	100	0,180	15	1/2"	1/2"	3/4"	34	75,5



ANGLE RADIATOR VALVE SEALED TYPE

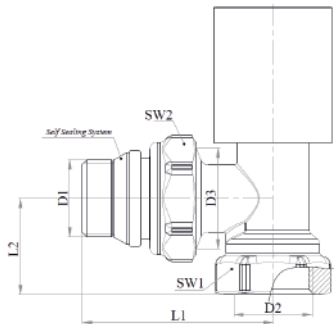


Standard	Ts 579
Working Temperature	Max. 120°C
Pressure Class	Max. 10 Bar
Intended Use	Heating Systems

Tds Qr Code	
--------------------	--

PRODUCT CODE	SIZE	COLOR	PCS/BOX	PCS/GROSS	DN	D1	D2	D3	L1	L2
04.12.303	1/2"	Silver	70	0,217	15	1/2"	1/2"	3/4"	50	25
04.12.303-10	1/2"	Black	70	0,211	15	1/2"	1/2"	3/4"	50	25

ANGLE RADIATOR VALVE SEALED TYPE

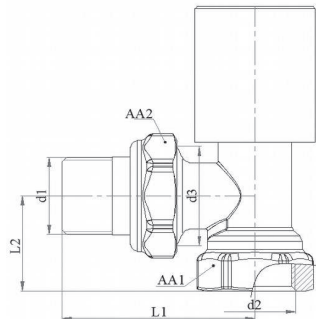



Standard	Ts 579
Working Temperature	Max. 120°C
Pressure Class	Max. 10 Bar
Intended Use	Heating Systems

Tds Qr Code	
--------------------	--

PRODUCT CODE	SIZE	COLOR	PCS/BOX	PCS/GROSS	DN	D1	D2	D3	L1	L2
04.12.303-11	1/2"	White	70	0,211	15	1/2"	1/2"	3/4"	50	25
04.12.303-12	1/2"	Gold	70	0,211	15	1/2"	1/2"	3/4"	50	25

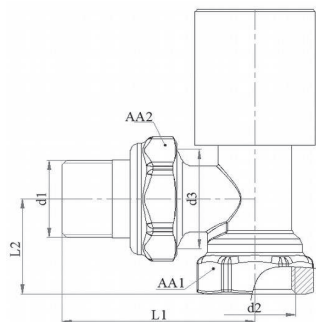
ANGLE RADIATOR VALVE




Standard	Ts 579
Working Temperature	Max.120°C
Pressure Class	Max. 10 Bar
Intended Use	Heating Systems
Tds Qr Code	

PRODUCT CODE	SIZE	COLOR	PCS/BOX	PCS/GROSS	DN	D1	D2	D3	L1	L2
04.11.303	1/2"	Silver	70	0,211	15	1/2"	1/2"	3/4"	50	25
04.11.303-10	1/2"	Black	70	0,211	15	1/2"	1/2"	3/4"	50	25

ANGLE RADIATOR VALVE

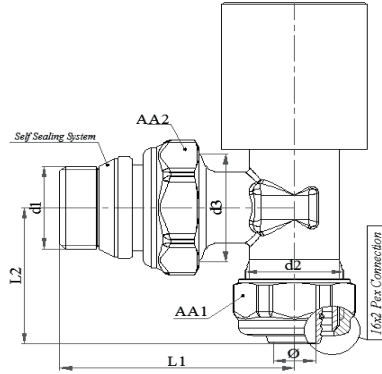


Standard	Ts 579
Working Temperature	Max.120°C
Pressure Class	Max. 10 Bar
Intended Use	Heating Systems
Tds Qr Code	

PRODUCT CODE	SIZE	COLOR	PCS/BOX	PCS/GROSS	DN	D1	D2	D3	L1	L2
04.11.303-11	1/2"	White	70	0,211	15	1/2"	1/2"	3/4"	50	25
04.11.303-12	1/2"	Gold	70	0,211	15	1/2"	1/2"	3/4"	50	25



ANGLE RADIATOR VALVE SEALED TYPE (PEX)

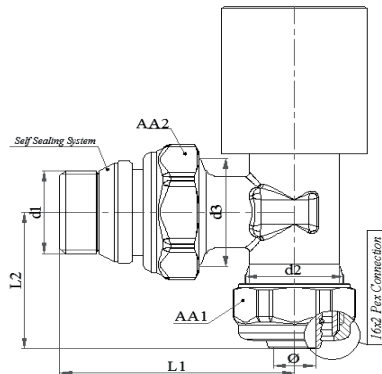


Standard	Ts 579
Working Temperature	Max.120°C
Pressure Class	Max. 10 Bar
Intended Use	Heating Systems

Tds Qr Code	
--------------------	--

PRODUCT CODE	SIZE	COLOR	PCS/BOX	PCS/GROSS	DN	D1	D2	D3	L1	L2
04.12.308	1/2" Pex	Silver	70	0,220	15	1/2"	1/2"	3/4"	50	33,5
04.12.308-10	1/2" Pex	Black	70	0,211	15	1/2"	1/2"	3/4"	50	33,5

ANGLE RADIATOR VALVE SEALED TYPE (PEX)

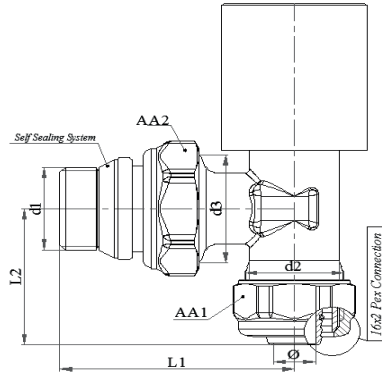


Standard	Ts 579
Working Temperature	Max.120°C
Pressure Class	Max. 10 Bar
Intended Use	Heating Systems

Tds Qr Code	
--------------------	--

PRODUCT CODE	SIZE	COLOR	PCS/BOX	PCS/GROSS	DN	D1	D2	D3	L1	L2
04.12.308-11	1/2" Pex	White	70	0,211	15	1/2"	1/2"	3/4"	50	33,5
04.12.308-12	1/2" Pex	Gold	70	0,211	15	1/2"	1/2"	3/4"	50	33,5

ANGLE RADIATOR VALVE (PEX)

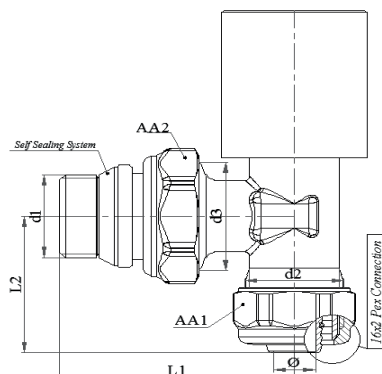


Standard	Ts 579
Working Temperature	Max.120°C
Pressure Class	Max. 10 Bar
Intended Use	Heating Systems

Tds Qr Code	
--------------------	--

PRODUCT CODE	SIZE	COLOR	PCS/BOX	PCS/GROSS	DN	D1	D2	D3	L1	L2
04.11.308	1/2" Pex	Silver	70	0,218	15	1/2"	1/2"	3/4"	50	33,5
04.11.308-10	1/2" Pex	Black	70	0,218	15	1/2"	1/2"	3/4"	50	33,5

ANGLE RADIATOR VALVE (PEX)



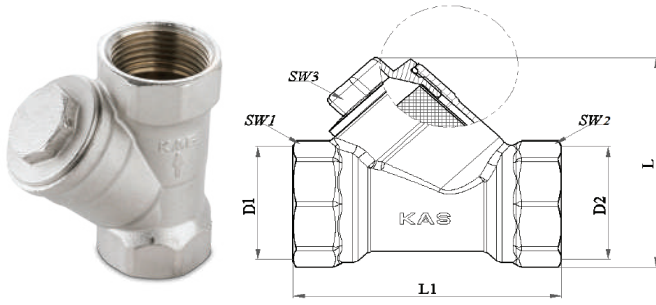
Standard	Ts 579
Working Temperature	Max.120°C
Pressure Class	Max. 10 Bar
Intended Use	Heating Systems


Tds Qr Code	
--------------------	--

PRODUCT CODE	SIZE	COLOR	PCS/BOX	PCS/GROSS	DN	D1	D2	D3	L1	L2
04.11.308-11	1/2" Pex	White	70	0,218	15	1/2"	1/2"	3/4"	50	33,5
04.11.308-12	1/2" Pex	Gold	70	0,218	15	1/2"	1/2"	3/4"	50	33,5



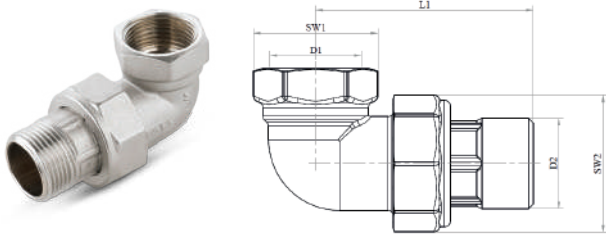
FILTER (Y-STAINER) PN 16




Standard	Tsek / Ts En 1074-3
Working Temperature	Min. -10°C / Max. 100°C
Pressure Class	PN 16
Intended Use	Water Plumping
Tds Qr Code	

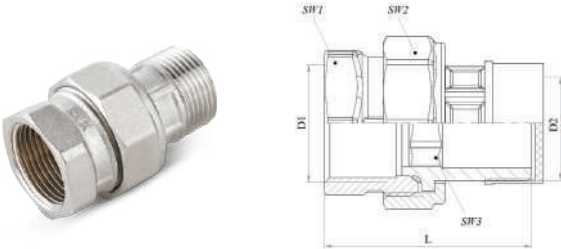

PRODUCT CODE	SIZE	PCS/BOX	PCS/GROSS	DN	D1(THREAD)	D2(THREAD)	SW1	L1	L2
12.02.340	1/2"	150	0,100	15	1/2"	1/2"	25	46	45
12.02.341	3/4"	80	0,145	20	3/4"	3/4"	30	53	60
12.02.342	1"	50	0,238	25	1"	1"	38	66	68
12.01.340	1/2"	150	0,139	15	1/2"	1/2"	26	50	57
12.01.341	3/4"	80	0,214	20	3/4"	3/4"	31	58	70
12.01.342	1"	50	0,307	25	1"	1"	39	69	77
80.31.343	1 1/4"	30	0,391	32	1 1/4"	1 1/4"	46,2	84	80
80.31.344	1 1/2"	20	0,462	40	1 1/2"	1 1/2"	52	90,2	85
80.31.345	2"	10	1,265	50	2"	2"	65,7	110	96
80.31.346	2 1/2"	8	1,575	65	2 1/2"	2 1/2"	81,5	140	120
80.31.347	3"	6	2,350	85	3"	3"	95,5	156	136
80.31.348	4"	4	3,775		4"	4"			

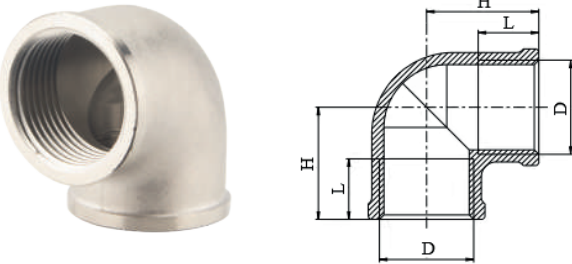

ANGLE UNION



Intended Use	Installation Systems
Tds Qr Code	

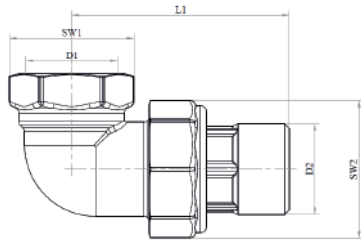
PRODUCT CODE	SIZE	PCS/BOX	PCS/GROSS	L1	D1(THREAD)	D2(THREAD)	SW1	SW2
03.02.260	1/2"	150	0,143	1/2"	1/2"	1/2"	27	30
03.02.261	3/4"	100	0,208	3/4"	3/4"	3/4"	31,8	37
03.02.262	1"	50	0,337	1"	1"	1"	38,6	46

STRAIGHT UNION									
					Intended Use		Installation Systems		
					Tds Qr Code				
PRODUCT CODE	SIZE	PCS/BOX	PCS/GROSS	L	D1(THREAD)	D2(THREAD)	SW1	SW2	SW3
03.01.250	1/2"	150	0,115	51	1/2"	1/2"	27	30	14
03.01.251	3/4"	90	0,168	56,1	3/4"	3/4"	32	37	18
03.01.252	1"	50	0,251	60	1"	1"	39	46	22
03.01.253	1 1/4"	48	0,382	60	1 1/4"	1 1/4"	47	52,5	25
03.01.254	1 1/2"	36	0,562	72,5	1 1/2"	1 1/2"	53	64	31,5
03.01.255	2"	20	0,926	80	2"	2"	66,5	81,3	42,8

ELBOW (F)							
				Intended Use		Installation Systems	
				Tds Qr Code			
PRODUCT CODE	SIZE	PCS/BOX	PCS/GROSS	DN	H	D(THREAD)	L
02.04.270	1/2"	240	0,065	15	13,5	1/2"	25
02.04.271	3/4"	150	0,105	20	14,5	3/4"	28
02.04.272	1"	90	0,18	25	16	1"	33



ANGLE COUPLING



Intended Use

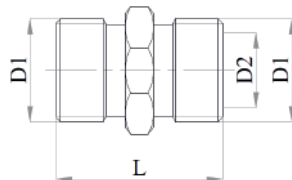
Installation Systems

Tds Qr Code



PRODUCT CODE	SIZE	PCS/BOX	PCS/GROSS	L1	D1(THREAD)	D2(THREAD)	SW1	SW2
03.02.263	1 1/4"	30	0,473	54,5	1/2"	1/2"	27	30
03.02.264	1 1/2"	20	0,731	62,9	3/4"	3/4"	31,8	37
03.02.265	2"	12	1,176	66,8	1"	1"	38,6	46

NIPPLES



Intended Use

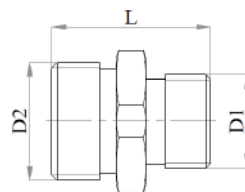
Installation Systems

Tds Qr Code



PRODUCT CODE	SIZE	PCS/BOX	PCS/GROSS	L	D1(THREAD)	D2	SW
02.02.200	3/8"	500	0,019	26,5	3/8"	12	18
02.02.201	1/2"	250	0,033	31	1/2"	15	21
02.02.202	3/4"	200	0,060	32,1	3/4"	20,1	29
02.02.203	1"	100	0,112	36,5	1"	25,3	34
02.02.204	1 1/4"	100	0,146	46	1 1/4"	34,3	43,5
02.02.205	1 1/2"	84	0,50	46	1 1/2"	40	50
02.02.206	2"	48	0,272	53	2"	51,5	61,5

REDUCTION NIPPLE (M/M)



Intended Use

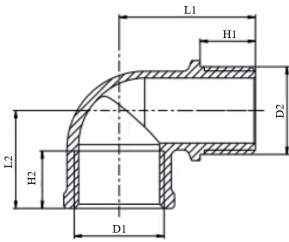
Installation Systems

Tds Qr Code



PRODUCT CODE	SIZE	PCS/BOX	PCS/GROSS	L	D1(THREAD)	D2(THREAD)	SW1
02.03.210	3/8" - 1/2"	300	0,033	28,2	3/8"	1/2"	22
02.03.211	1/2" - 3/4"	250	0,052	31,5	1/2"	3/4"	27
02.03.212	3/4" - 1"	100	0,096	34,5	3/4"	1"	33

ELBOW (F/M)



Intended Use

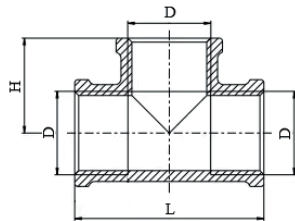
Installation Systems

Tds Qr Code



PRODUCT CODE	SIZE	PCS/BOX	PCS/GROSS	DN	D1(THREAD)	D2(THREAD)	H1	H2	L1
02.05.280	1/2"	100	0,56	15	1/2"	1/2"	13	13,5	32
02.05.281	3/4"	150	0,105	20	3/4"	3/4"	14,5	15	37,5
02.05.282	1"	80	0,158	25	1"	1"	16	16	43

T BODY



Intended Use

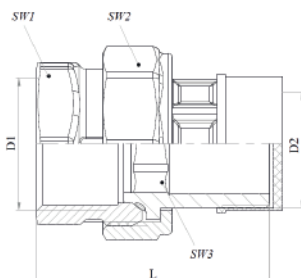
Installation Systems

Tds Qr Code



PRODUCT CODE	SIZE	PCS/BOX	PCS/GROSS	DN	H	D(THREAD)	L
02.06.290	1/2"	200	0,084	15	24	1/2"	48
02.06.291	3/4"	120	0,123	20	27	3/4"	54
02.06.292	1"	60	0,231	25	34	1"	68

STRAIGHT COUPLING



Intended Use

Installation Systems

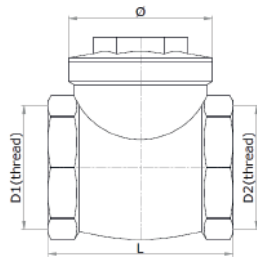
Tds Qr Code



PRODUCT CODE	SIZE	PCS/BOX	PCS/GROSS	L	D1(THREAD)	D2(THREAD)	SW1	SW2	SW3
03.01.253	1 1/4"	48	0,355	68,8	1 1/4"	1 1/4"	47	52,5	25
03.01.255	2"	20	0,871	80	2"	2"	66,5	81,3	42,8



SWING CHECK VALVE



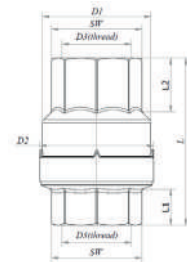
Working Temperature	-30°C / +90°C
Pressure Class	PN 16
Intended Use	Industrial Application

Tds Qr Code



PRODUCT CODE	SIZE	PCS/BOX	PCS/GROSS	DN	L	D1(THREAD)	D2(THREAD)	Ø (DIA OF BALL)	SW
80.82.460	1/2"	100	0,135	15	49	1/2"	1/2"	31,5	25
80.82.461	3/4"	75	0,158	20	54,4	3/4"	3/4"	33,3	30
80.82.462	1"	50	0,221	25	59	1"	1"	38,2	37,2
80.82.463	1 1/4"	50	0,425	32	69,5	1 1/4"	1 1/4"	45,2	46,5
80.82.464	1 1/2"	30	0,460	40	72,5	1 1/2"	1 1/2"	53,6	52,2
80.82.465	2"	15	0,715	50	85,8	2"	2"	66,2	65
80.82.466	2 1/2"	10	1,472	65	108	2 1/2"	2 1/2"	82,7	83
80.82.467	3"	6	1,599	80	115,6	3"	3"	86,4	95,5
80.82.468	4"	2	3,675	*	*	*	*	*	*

VERTICAL CHECK VALVE



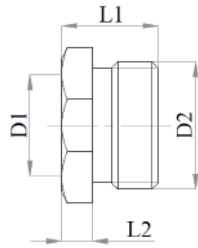
Working Temperature	-30°C / +90°C
Pressure Class	PN 16
Intended Use	Industrial Application

Tds Qr Code



PRODUCT CODE	SIZE	PCS/BOX	PCS/GROSS	DN	L1	L2	D1	D2	D3
80.81.470	1/2"	100	0,095	15	9	15	30	31,5	1/2"
80.81.471	3/4"	75	0,130	20	9,5	17,5	36	38	3/4"
80.81.472	1"	50	0,196	25	10,5	19	43	45	1"
80.81.473	1 1/4"	50	0,307	32	12	19,5	54,5	57	1 1/4"
80.81.474	1 1/2"	30	0,445	40	14	20,5	65	67	1 1/2"
80.81.475	2"	24	0,642	50	15	26	74	76	2"
80.81.476	2 1/2"	12	0,944	65	18,4	31	101,8	104,8	2 1/2"
80.81.477	3"	6	1,516	80	18,5	35,5	122,4	125,7	3"

REDUCTION NIPPLE (M/F)



Intended Use

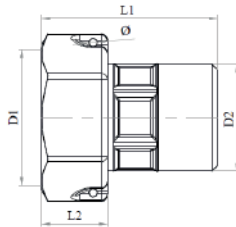
Installation Systems

Tds Qr Code



PRODUCT CODE	SIZE	PCS/BOX	PCS/GROSS	D1(THREAD)	D2(THREAD)	SW1	L1	L2
02.01.195	3/8" - 1/2"	500	0,018	3/8"	1/2"	22	15,7	5
02.01.196	1/2" - 3/4"	300	0,034	1/2"	3/4"	27	17,5	5,5

WATER METER FITTING



Intended Use

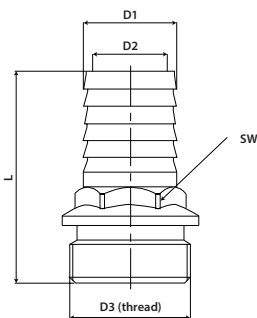
Installation Systems

Tds Qr Code



PRODUCT CODE	SIZE	PCS/BOX	PCS/GROSS	L1	L2	D1(THREAD)	D2(THREAD)	SW1	SW2
80.22.191	3/4"	100	0,095	42,7	16	1"	3/4"	35,8	18

COUPLING HOSE CONNECTION



Intended Use

Installation Systems

Tds Qr Code



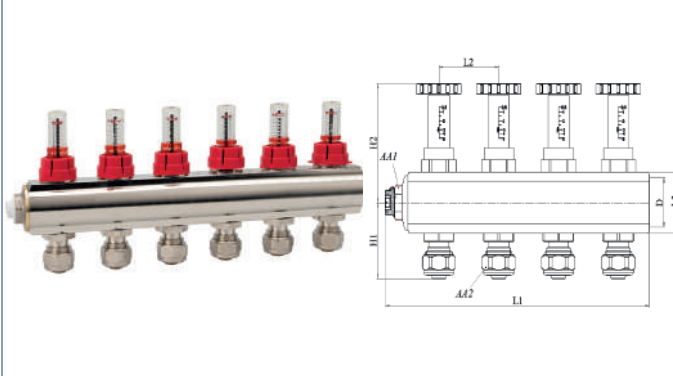
PRODUCT CODE	SIZE	PCS/BOX	PCS/GROSS	L	D1	D2	D3(THREAD)	SW
80.23.241	1/2"	500	0,025	35,5	15,8	12,6	1/2"	16,6
80.23.242	3/4"	300	0,039	38,4	20,2	16,5	3/4"	21
80.23.243	1"	150	0,062	43,3	26,2	22,2	1"	26,5
80.23.244	1 1/4"	100	0,075	49,5	32,4	27,7	1 1/4"	32,9
80.23.245	1 1/2"	75	0,137	50,2	41	35,5	1 1/2"	41
80.23.246	2"	40	0,210	58,5	50	45,5	2"	51,8

A family of three is sitting on a light-colored rug in a modern living room, playing with wooden blocks. The room features wood-paneled walls, a large window with a view of a snowy forest, and a sofa. In the foreground, a square section of the floor is cut away, revealing a red underfloor heating system with a serpentine pipe layout. The text 'Underfloor Heating Manifolds & Systems' is overlaid in white, with 'Systems' in a cursive font and a white triangle pointing to the right.

Underfloor Heating Manifolds & *Systems* ▶



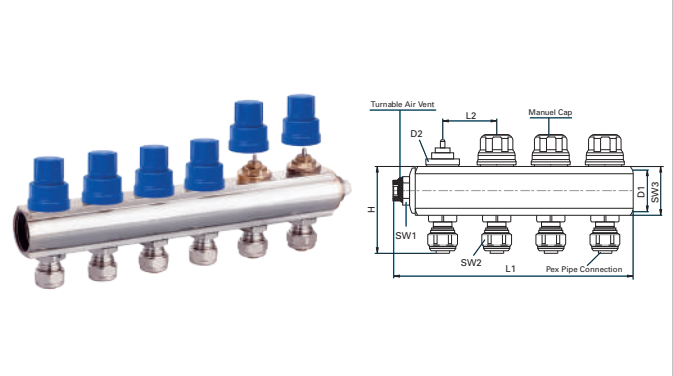
1" BRASS FLOW METER CONTROLLED MANIFOLD (16*2)



Standard	TSE K 534 / TSEK
Max Working Pressure	90°C
Max Working Pressure	6 bar
Intended Use	Plumbing
Tds Qr Code	

PRODUCT CODE	SIZE	PCS/BOX	PCS/GROSS	D	H1	L1	L2	H2	AA1
18.15.502	2	21	0,579	1"	50	114	47	79	22
18.15.503	3	14	0,870	1"	50	161	47	79	22
18.15.504	4	14	1,146	1"	50	208	47	79	22
18.15.505	5	14	1,443	1"	50	255	47	79	22
18.15.506	6	7	1,740	1"	50	302	47	79	22
18.15.507	7	7	2,016	1"	50	349	47	79	22
18.15.508	8	7	2,313	1"	50	396	47	79	22
18.15.509	9	7	2,410	1"	50	443	47	79	22
18.15.510	10	7	2,836	1"	50	490	47	79	22
18.15.511	11	7	3,183	1"	50	537	47	79	22
18.15.512	12	7	3,480	1"	50	584	47	79	22
18.15.513	13	7	3,756	1"	50	631	47	79	22

1" BRASS THERMOSTATIC MANIFOLD (16*2)



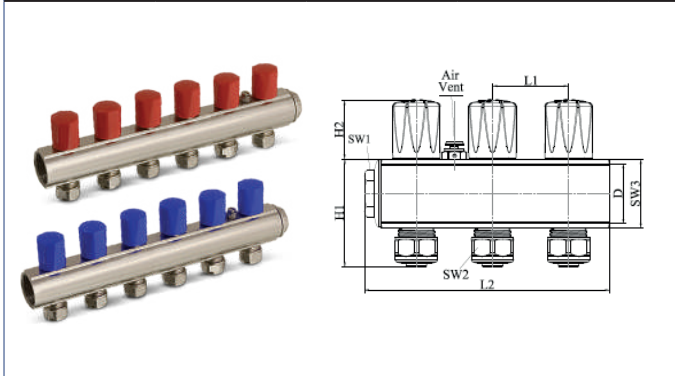
Standard	TSE K 534 / TSEK
Max. Working Temperature	120°C
Pressure Class	PN 10
Intended Use	Heating Systems
Tds Qr Code	

PRODUCT CODE	SIZE	PCS/BOX	PCS/GROSS	D1	D1	L1	L2	H	SW1
18.16.502	2	30	0,655	1"	M30x1.5	114	47	70	22
18.16.503	3	20	0,971	1"	M30x1.5	161	47	70	22
18.16.504	4	20	1,262	1"	M30x1.5	208	47	70	22
18.16.505	5	20	1,578	1"	M30x1.5	255	47	70	22
18.16.506	6	10	1,894	1"	M30x1.5	302	47	70	22
18.16.507	7	10	2,185	1"	M30x1.5	349	47	70	22
18.16.508	8	10	2,501	1"	M30x1.5	396	47	70	22
18.16.509	9	10	2,817	1"	M30x1.5	443	47	70	22
18.16.510	10	10	3,108	1"	M30x1.5	490	47	70	22
18.16.511	11	10	3,424	1"	M30x1.5	537	47	70	22
18.16.512	12	10	3,740	1"	M30x1.5	584	47	70	22
18.16.513	13	10	4,001	1"	M30x1.5	631	47	70	22

UNDERFLOOR HEATING MANIFOLD & SYSTEMS



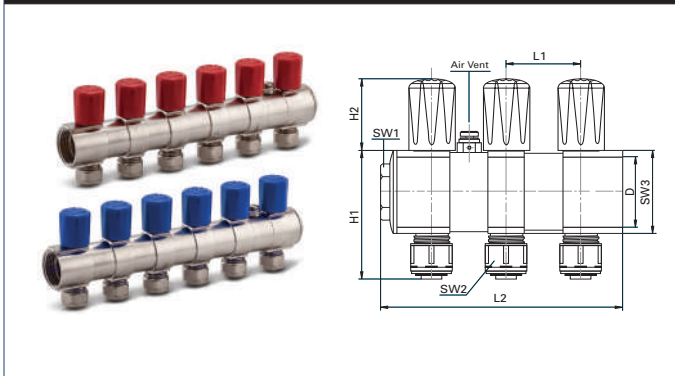
BRASS MANIFOLD WITH MANUAL SHUT-OFF VALVES & HANDLES (16*2)



Standard	TSE K 534 / TSEK
Max. Working Temperature	120°C
Pressure Class	PN10
Intended Use	Heating Systems
Tds Qr Code	

PRODUCT CODE	SIZE	PCS/BOX	D	H1	L1	SW1	SW2	SW3
18.01.482	2	30	1"	60	43	24	24	38
18.01.483	3	20	1"	60	43	24	24	38
18.01.484	4	20	1"	60	43	24	24	38
18.01.485	5	20	1"	60	43	24	24	38
18.01.486	6	10	1"	60	43	24	24	38
18.01.487	7	10	1"	60	43	24	24	38
18.01.488	8	10	1"	60	43	24	24	38
18.01.489	9	10	1"	60	43	24	24	38
18.01.490	10	10	1"	60	43	24	24	38
18.01.491	11	10	1"	60	43	24	24	38
18.01.492	12	10	1"	60	43	24	24	38
18.01.493	13	10	1"	60	43	24	24	38

1" BRASS MANIFOLD WITH MANUAL SHUT-OFF VALVES & HANDLES (16*2)



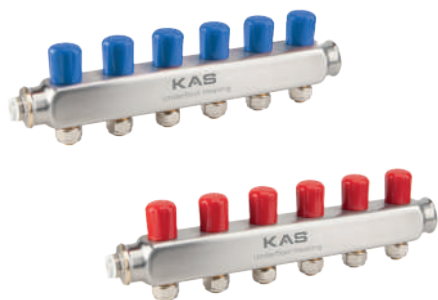
Standard	TSE K 534 / TSEK
Max. Working Temperature	120°C
Pressure Class	PN10
Intended Use	Heating Systems
Tds Qr Code	

PRODUCT CODE	SIZE	PCS/BOX	D	H1	L	SW1	SW2	SW3
18.01.582	2	30	1"	60	95,7	24	24	38
18.01.583	3	20	1"	60	138,7	24	24	38
18.01.584	4	20	1"	60	181,7	24	24	38
18.01.585	5	20	1"	60	224,7	24	24	38
18.01.586	6	10	1"	60	267,7	24	24	38
18.01.587	7	10	1"	60	310,7	24	24	38
18.01.588	8	10	1"	60	353,7	24	24	38
18.01.589	9	10	1"	60	396,7	24	24	38
18.01.590	10	10	1"	60	439,7	24	24	38
18.01.591	11	10	1"	60	482,7	24	24	38
18.01.592	12	10	1"	60	525,7	24	24	38
18.01.593	13	10	1"	60	568,7	24	24	38



1" S.STEEL MANIFOLD TYPE-2 (16*2)

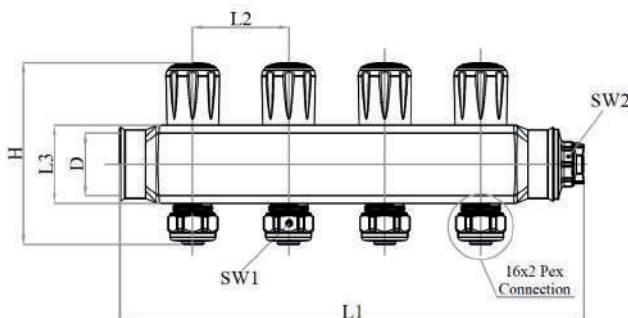
new product



Standard	TSE K 534 / TSEK
Max. Flow Temperature	90°C
Max. Working Temperature	10 Bar
Intended Use	Heating Systems

Tds Qr Code

PRODUCT CODE	SIZE	PCS/BOX	DN	D	L1	L2	L3	H
18.34.282	2	30	25	1"	142	50	40,5	94,5
18.34.283	3	20	25	1"	192	50	40,5	94,5
18.34.284	4	20	25	1"	242	50	40,5	94,5
18.34.285	5	20	25	1"	292	50	40,5	94,5
18.34.286	6	10	25	1"	342	50	40,5	94,5
18.34.287	7	10	25	1"	392	50	40,5	94,5
18.34.288	8	10	25	1"	442	50	40,5	94,5
18.34.289	9	10	25	1"	492	50	40,5	94,5
18.34.290	10	10	25	1"	542	50	40,5	94,5
18.34.291	11	10	25	1"	592	50	40,5	94,5
18.34.292	12	10	25	1"	642	50	40,5	94,5



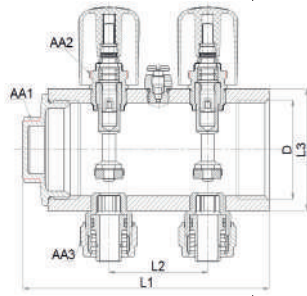
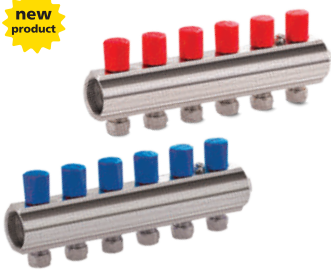
AENOR

The strength beneath comfort.



1 1/4" BRASS MANIFOLD WITH MANUAL SHUT-OFF VALVES & HANDLES (16*2)

new product



Standard	TSE K 534 / TSEK
Max. Working Temperature	90°C
Pressure Class	PN10
Intended Use	Plumbing Systems

Tds Qr Code



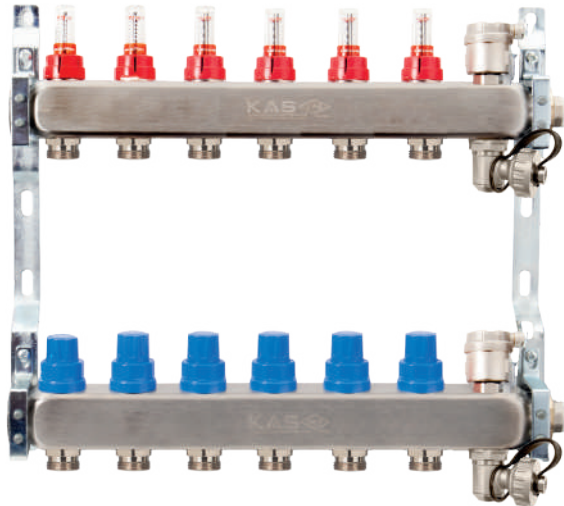
PRODUCT CODE	SIZE	PCS/BOX	D	L1	L2	L3	AA1	AA2
18.03.702	2	16	1 1/4"	112,2	45	51	24	16
18.03.703	3	16	1 1/4"	157,2	45	51	24	16
18.03.704	4	16	1 1/4"	202,2	45	51	24	16
18.03.705	5	16	1 1/4"	247,2	45	51	24	16
18.03.706	6	8	1 1/4"	292,2	45	51	24	16
18.03.707	7	8	1 1/4"	337,2	45	51	24	16
18.03.708	8	8	1 1/4"	382,2	45	51	24	16
18.03.709	9	8	1 1/4"	427,2	45	51	24	16
18.03.710	10	8	1 1/4"	472,2	45	51	24	16
18.03.711	11	8	1 1/4"	517,2	45	51	24	16
18.03.712	12	8	1 1/4"	562,2	45	51	24	16
18.03.713	13	8	1 1/4"	607,2	45	51	24	16

Underfloor Heating Manifold & Systems





1" S.STEEL MANIFOLD WITH AUTOMATIC AIR VENT (EUROCONE)



new product

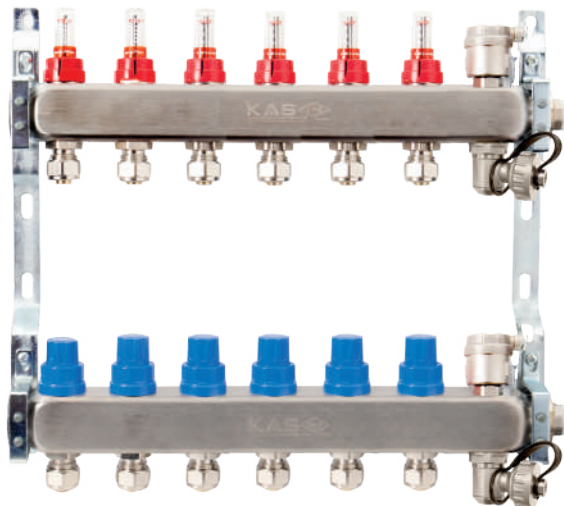
*EUROCONE UNION NOT INCLUDED

PRODUCT CODE	SIZE	PCS/BOX	HQ	L(MM)(+/-2)	MAX. FLOW TEMPERATURE	INTENDED USE	MAX. WORKING PRESSURE
18.93.902-01	2	1	2	141.5	90°C	Heating Systems	Manifold (T.Insert): 10 bar Manifold (Flowmeter):6 bar
18.93.903-01	3	1	3	191.5			
18.93.904-01	4	1	4	241.5			
18.93.905-01	5	1	5	291.5			
18.93.906-01	6	1	6	341.5			
18.93.907-01	7	1	7	391.5			
18.93.908-01	8	1	8	441.5			
18.93.909-01	9	1	9	491.5			
18.93.910-01	10	1	10	541.5			
18.93.911-01	11	1	11	591.5			
18.93.912-01	12	1	12	641.5			

Tds Qr Code



1" S.STEEL MANIFOLD WITH AUTOMATIC AIR VENT (16x2)



new product

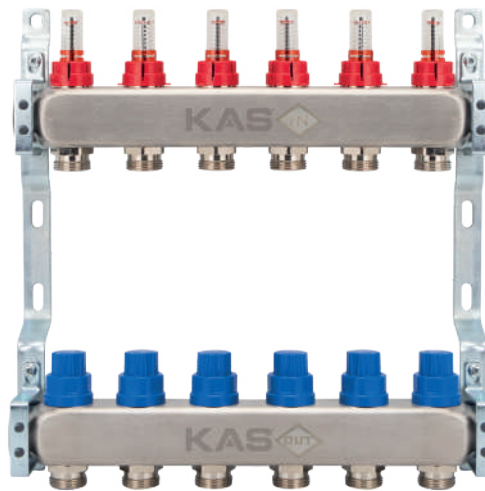
PRODUCT CODE	SIZE	PCS/BOX	HQ	L(MM)(+/-2)	MAX. FLOW TEMPERATURE	INTENDED USE	MAX. WORKING PRESSURE
18.52.902	2	1	2	141.5	90°C	Heating Systems	Manifold (T.Insert): 10 bar Manifold (Flowmeter):6 bar
18.52.903	3	1	3	191.5			
18.52.904	4	1	4	241.5			
18.52.905	5	1	5	291.5			
18.52.906	6	1	6	341.5			
18.52.907	7	1	7	391.5			
18.52.908	8	1	8	441.5			
18.52.909	9	1	9	491.5			
18.52.910	10	1	10	541.5			
18.52.911	11	1	11	591.5			
18.52.912	12	1	12	641.5			

Tds Qr Code





1" STAINLESS STEEL MANIFOLD SET WITH FLOW METER (EUROCONE)



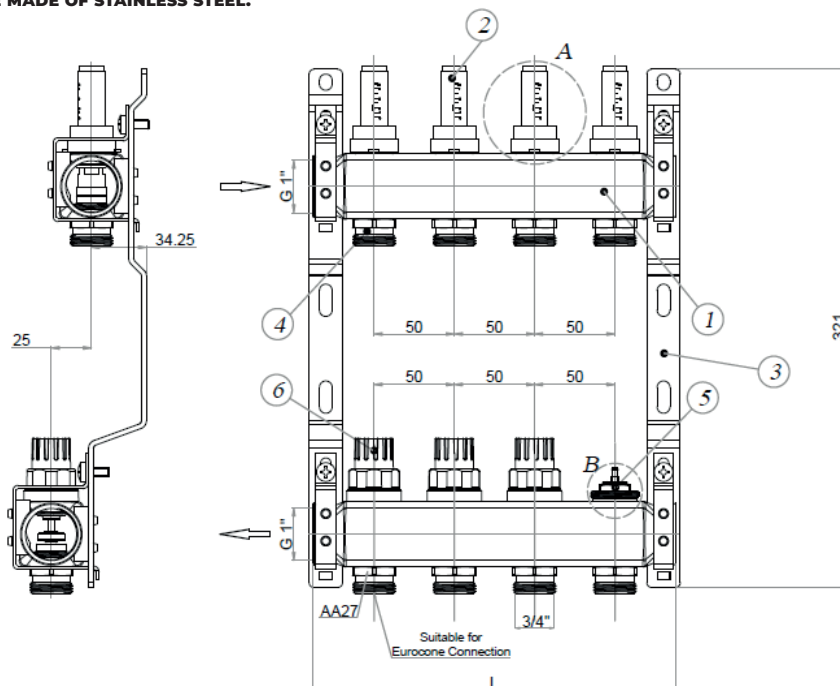
*EUROCONE UNION NOT INCLUDED

PRODUCT CODE	SIZE	PCS/BOX	HQ	L(MM)(+/-2)	MAX. FLOW TEMPERATURE	INTENDED USE	MAX. WORKING PRESSURE
18.85.902	2	1	2	126	90°C	Heating Systems	Manifold (T.Insert): 10 bar Manifold (Flowmeter):6 bar
18.85.903	3	1	3	176			
18.85.904	4	1	4	226			
18.85.905	5	1	5	276			
18.85.906	6	1	6	326			
18.85.907	7	1	7	376			
18.85.908	8	1	8	426			
18.85.909	9	1	9	476			
18.85.910	10	1	10	525			
18.85.911	11	1	11	576			
18.85.912	12	1	12	626			

Tds Qr Code


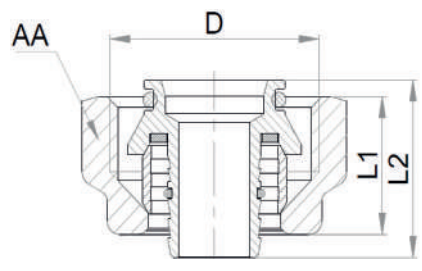



*ALL MANIFOLD BODIES ARE MADE OF STAINLESS STEEL.






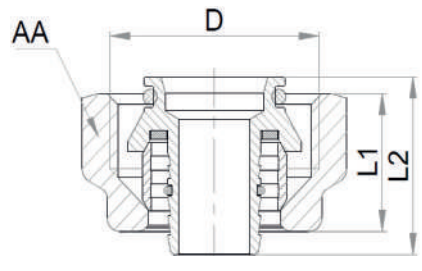
16x2 EUROCONE CONNECTION SET (BRASS)





Area Of Use	Installation Systems
Tds Qr Code	


PRODUCT CODE	SIZE	PCS/BOX	PCS/GROSS	D	AA	L1	L2
18.09.520	16x2	150	0,055	3/4"	30	16,2	20,9

20x2 EUROCONE CONNECTION SET (BRASS)


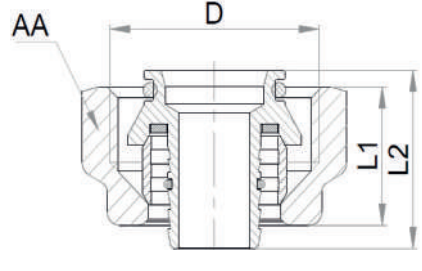




Area Of Use	Installation Systems
Tds Qr Code	

PRODUCT CODE	SIZE	PCS/BOX	PCS/GROSS	D	AA	L1	L2
18.09.522	20x2	125	0,079	3/4"	30	20,2	24,7




16x2 EUROCONE CONNECTION SET (S.STEEL)


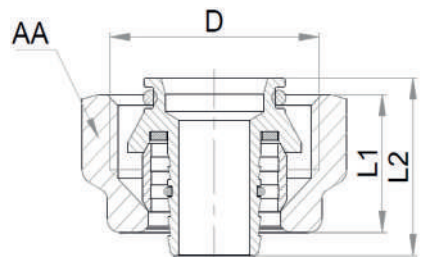




Area Of Use	Installation Systems
Tds Qr Code	

PRODUCT CODE	SIZE	PCS/BOX	PCS/GROSS
06.01.523	16x2	*	*



20x2 EUROCONE CONNECTION SET (S.STEEL)

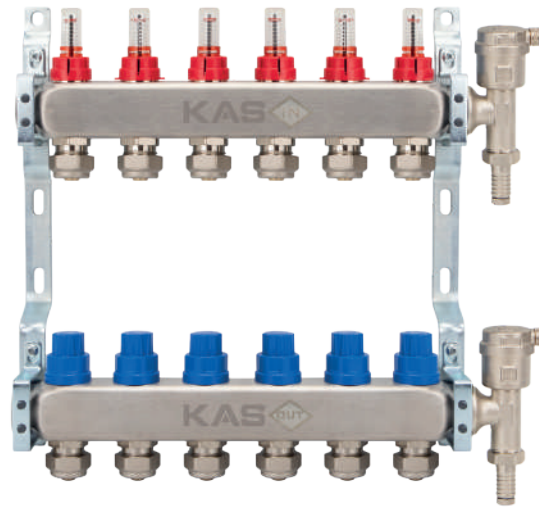
Area Of Use	Installation Systems
Tds Qr Code	

PRODUCT CODE	SIZE	PCS/BOX	PCS/GROSS
06.01.525	20x2	*	*



16x2 EUROCOONE CONNECTION STAINLESS STEEL MANIFOLD SET WITH FLOW METER

new
product

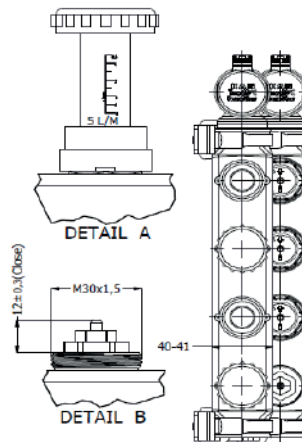
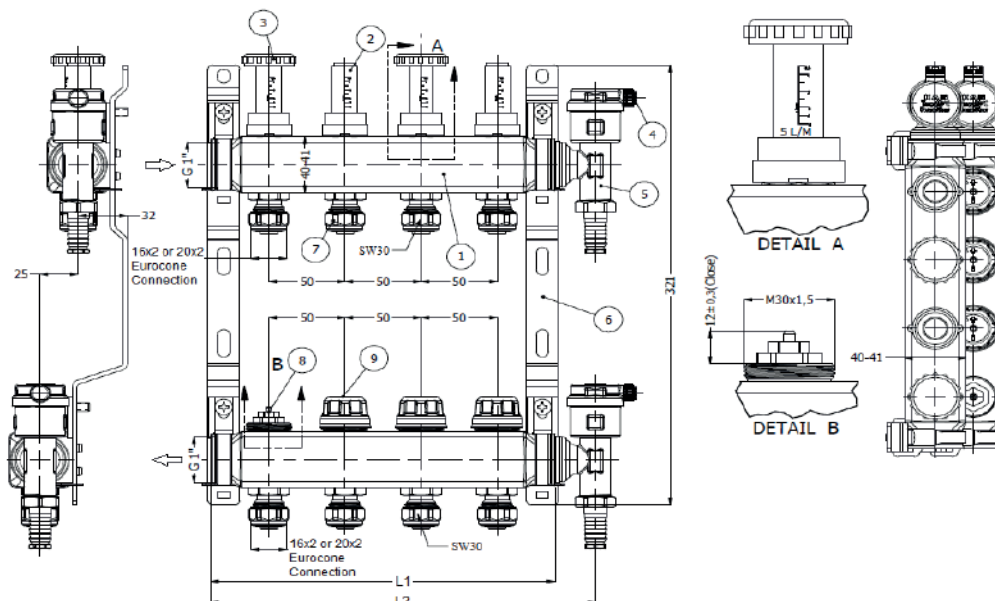


PRODUCT CODE	SIZE	PCS/BOX	HQ	L(MM)(+/-2)	MAX. FLOW TEMPERATURE	INTENDED USE	MAX. WORKING PRESSURE
18.81.902	2	1	2	126	90°C	Heating Systems	Manifold (T.Insert): 10 bar Manifold (Flowmeter): 6 bar
18.81.903	3	1	3	176			
18.81.904	4	1	4	226			
18.81.905	5	1	5	276			
18.81.906	6	1	6	326			
18.81.907	7	1	7	376			
18.81.908	8	1	8	426			
18.81.909	9	1	9	476			
18.81.910	10	1	10	526			
18.81.911	11	1	11	576			
18.81.912	12	1	12	626			

Tds Qr Code



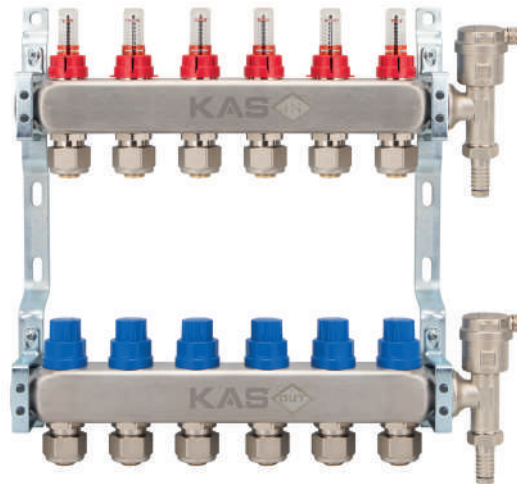
***ALL MANIFOLD BODIES ARE MADE OF STAINLESS STEEL.**





20x2 EUROCONE CONNECTION STAINLESS STEEL MANIFOLD SET WITH FLOW METER

new product



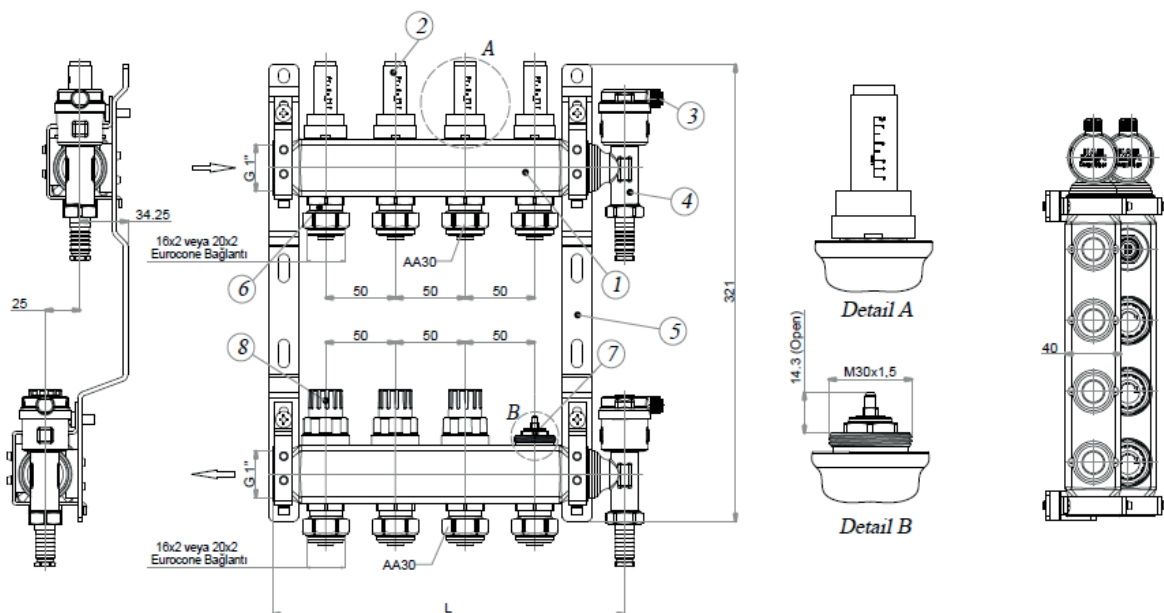
UNDERFLOOR HEATING MANIFOLD & SYSTEMS

PRODUCT CODE	SIZE	PCS/BOX	HQ	L(MM)(+/-2)	MAX. FLOW TEMPERATURE	INTENDED USE	MAX. WORKING PRESSURE
18.83.902	2	1	2	152	90°C	Heating Systems	Manifold (T.Insert): 10 bar Manifold (Flowmeter): 6 bar
18.83.903	3	1	3	202			
18.83.904	4	1	4	252			
18.83.905	5	1	5	302			
18.83.906	6	1	6	352			
18.83.907	7	1	7	402			
18.83.908	8	1	8	452			
18.83.909	9	1	9	502			
18.83.910	10	1	10	552			
18.83.911	11	1	11	602			
18.83.912	12	1	12	652			

Tds Qr Code



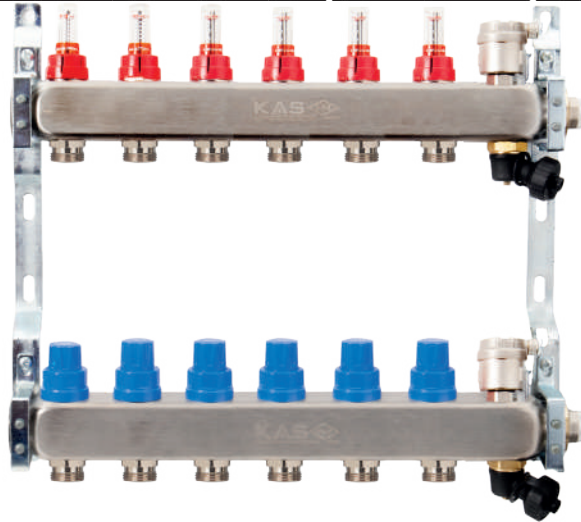
*ALL MANIFOLD BODIES ARE MADE OF STAINLESS STEEL.





1" STAINLESS STEEL MANIFOLD WITH AUTOMATIC AIR VENT (EUROCONE)

new product



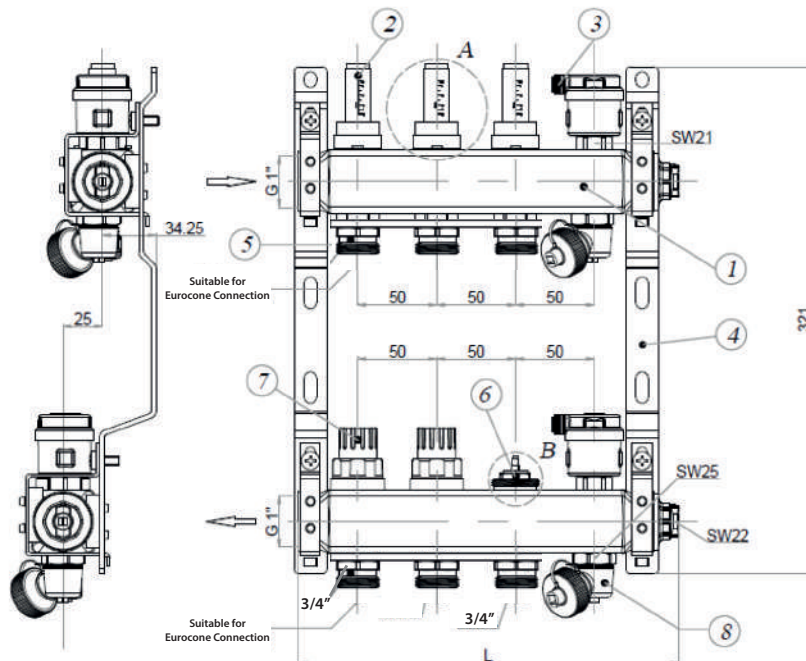
*EUROCONE UNION NOT INCLUDED

PRODUCT CODE	SIZE	PCS/BOX	HQ	L(MM)(+/-2)	MAX. FLOW TEMPERATURE	INTENDED USE	MAX. WORKING PRESSURE
18.92.902	2	1	2		90°C	Heating Systems	Manifold (T.Insert): 10 bar Manifold (Flowmeter): 6 bar
18.92.903	3	1	3				
18.92.904	4	1	4				
18.92.905	5	1	5				
18.92.906	6	1	6				
18.92.907	7	1	7				
18.92.908	8	1	8				
18.92.909	9	1	9				
18.92.910	10	1	10				
18.92.911	11	1	11				
18.92.912	12	1	12				

Tds Qr Code



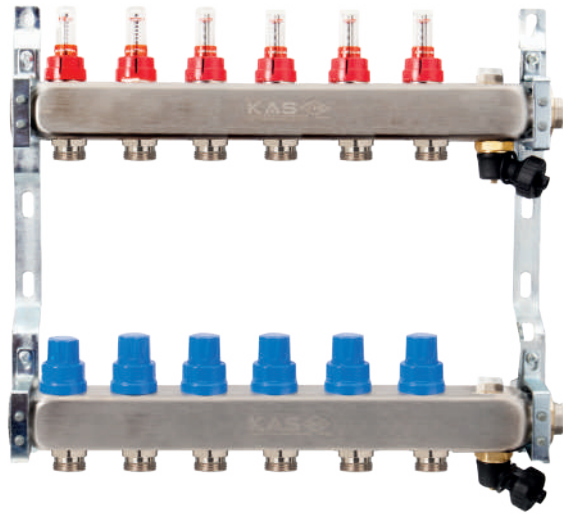
*ALL MANIFOLD BODIES ARE MADE OF STAINLESS STEEL.





1" S.STEEL MANIFOLD WITH AIR VENT PLUG (EUROCONE)

new product



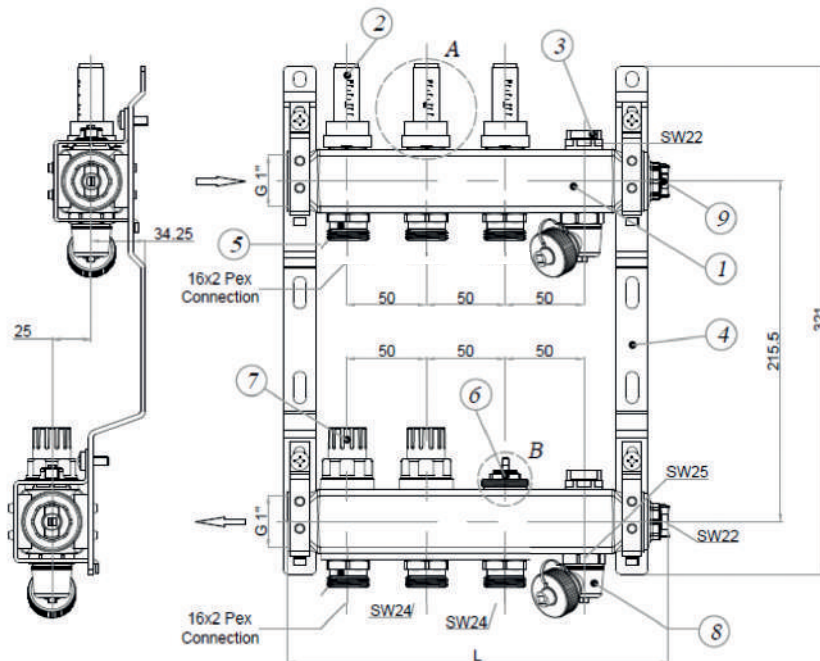
*EUROCONE UNION NOT INCLUDED

PRODUCT CODE	SIZE	PCS/BOX	HQ	L(MM)(+/-2)	MAX. FLOW TEMPERATURE	INTENDED USE	MAX. WORKING PRESSURE
18.55.902	2	1	2	141,5	90°C	Heating Systems	Manifold (T.Insert): 10 bar Manifold (Flowmeter):6 bar
18.55.903	3	1	3	191,5			
18.55.904	4	1	4	241,5			
18.55.905	5	1	5	291,5			
18.55.906	6	1	6	341,5			
18.55.907	7	1	7	391,5			
18.55.908	8	1	8	441,5			
18.55.909	9	1	9	491,5			
18.55.910	10	1	10	541,5			
18.55.911	11	1	11	591,5			
18.55.912	12	1	12	641,5			



Tds Qr Code

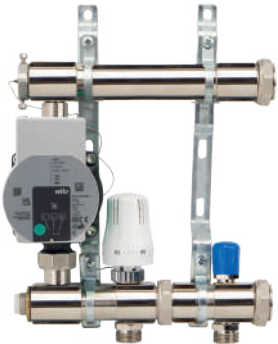





*ALL MANIFOLD BODIES ARE MADE OF STAINLESS STEEL.








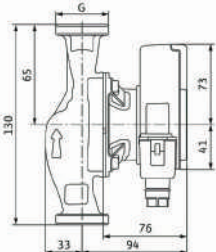

COMPACT MIXING CIRCUIT - TYPE 2		
	Standard	TSE K 534 / TSEK
	Max. Working Temperature	120°C (Except Circulation Pump)
	Pressure Class	PN10
	Intended Use	Underfloor Heating System
	Tds Qr Code	
PRODUCT CODE	SIZE	PCS/BOX
20.01.001	*	1
*Product code 20.01.001 is compatible with pump model 20.07.101. Circulation pump is available separately.		


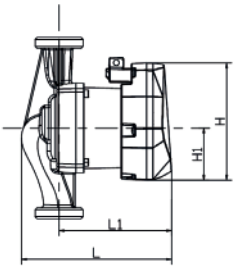

COMPACT MIXING CIRCUIT		
	Standard	TSE K 534 / TSEK
	Max. Working Temperature	120°C (Except Circulation Pump)
	Pressure Class	PN10
	Intended Use	Underfloor Heating System
	Tds Qr Code	
PRODUCT CODE	SIZE	PCS/BOX
20.01.002	Type 2	1
*Product code 20.01.002 is compatible with pump model 20.07.101. Circulation pump is available separately.		


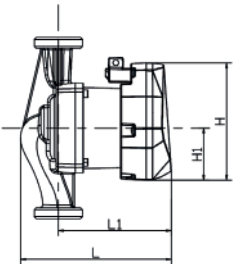

COMPACT MIXING CIRCUIT WITH BYPASS		
	Maximum Fluid Temperature in Primary Circuit	90°C (Excluding Circulation Pump)
	Maximum Operating Pressure	10 bar
	Thermostatic Head Adjustment Range	20–60°C
	Thermometer Measurement Range	0–80°C
	Tds Qr Code	
PRODUCT CODE	SIZE	PCS/BOX
20.01.003	*	1
*Product code 20.01.003 is compatible with pump model 20.07.104.		



COMPACT MIXING CIRCUIT - TYPE 3		
	Standard	TSE K 534 / TSEK
	Max. Working Temperature	120°C (Excluding Circulation Pump)
	Pressure Class	PN 10
	Intended Use	Underfloor Heating Systems
	Tds Qr Code	
PRODUCT CODE	SIZE	PCS/BOX
20.01.005	*	*
*Product code 20.01.005 is compatible with pump model 20.07.103.		

CIRCULATION PUMP										
 	Max. Working Pressure (PN)	10 Bar								
	Power Consumption P (max.)	43 W								
	Mounting Length	130mm								
	Tds Qr Code									
PRODUCT CODE	SIZE	PCS/BOX	PCS/GROSS	G	PACKAGED LENGTH	LENGTH FROM PORT TO PORT	HEIGHT WITH PACKAGING	HEIGHT H	WIDTH WITH PACKAGING	
20.07.101	Para 15-130/6-43/SC-12/G1	1	1,900	1"	194MM	130mm	105mm	102MM	174MM	

CIRCULATION PUMP										
 	Energy Efficiency Index (EEI)	≤ 0.23								
	Maximum Flow Rate	3.6 m³/h								
	Maximum Speed (nmax)	3200 rpm								
	Tds Qr Code									
PRODUCT CODE	SIZE	PCS/BOX	PCS/GROSS	B	B1	H	H1	L	L1	G
20.07.103	130	3	2,300	110	130	116,5	52	147 ⁰ / ₃	111,5	1,5"

CIRCULATION PUMP										
 	Energy Efficiency Index (EEI)	≤ 0.23								
	Maximum Flow Rate	3.6 m³/h								
	Maximum Speed (nmax)	3200 rpm								
	Tds Qr Code									
PRODUCT CODE	SIZE	PCS/BOX	PCS/GROSS	B	B1	H	H1	L	L1	G
20.07.104	180	3	2,500	110	180	116,5	52	147 ⁰ / ₃	111,5	1,5"



ACTUATOR (2W)		
	Type	NC – Normally Closed
	Connection	M30×1.5
	Voltage	230 V AC, 50/60 Hz
	Power	2 W
	Tds Qr Code	
PRODUCT CODE	SIZE	PCS/BOX
20.07.204	Ø90 (±2) × H 52-57 mm	50

WIRELESS ROOM THERMOSTAT		
	Power Source	2 AA 1.5V Alkaline Batteries
	Temperature Range	+5 ~ +35°C
	Accuracy	0.1°C
	Calibration Feature	Available (±5)°C
	Tds Qr Code	
PRODUCT CODE	SIZE	PCS/BOX
20.07.308	85x75	36


BASE STATION - WIRELESS BASE STATION		
	Power Source	100-240VAC 50-60Hz
	Actuator Connection Feature	Wired Connection
	Thermostat Connection Feature	Wireless Connection - 8 RF Thermostats
	Operating Temperature	-20°C ~ 60°C
	Tds Qr Code	
PRODUCT CODE	SIZE	PCS/BOX
20.07.009	280x110	5

*20.07.009 is compatible with 20.07.308 Wireless Room Thermostat.



DIGITAL ROOM THERMOSTAT




Power Source	100 ~ 240V AC 50/60Hz
Temperature Range	+5°C to +35°C
Accuracy	±0.1°C
Calibration Feature	Available (±6°C)
Tds Qr Code	

PRODUCT CODE	SIZE	PCS/BOX
Keypad		
20.07.306	88x88	36
Touch Key		
20.07.307	88x88	36
Analogue		
20.07.304	86x86	36
Digital		
20.07.305	88x88	36

BASE STATION - WIRELESS BASE STATION



Power Supply	100–240 V AC, 50/60 Hz
Maximum Operating Current	10 A
Connection Feature	8-zone, maximum 5 actuators per zone
Operating Temperature	320°C / +60°C
Tds Qr Code	

PRODUCT CODE	SIZE	PCS/BOX
20.07.008	280x110	5

AUTOMATIC AIR VENT

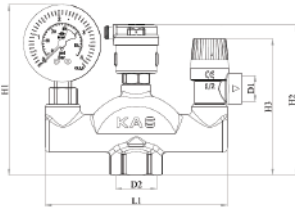


Operating Temperature	Max. 100°C
Operating Pressure	Max. 10 Bar
Intended Use	Water Installation
Tds Qr Code	

PRODUCT CODE	SIZE	PCS/BOX
18.21.351	*	76



COMBINED AIR SEPERATOR

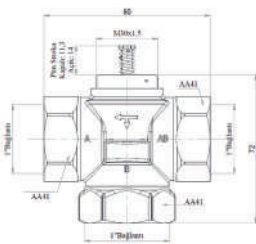
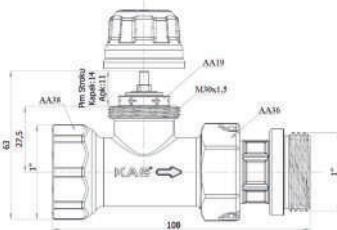


Operating Temperature	Max. 110°C
Operating Pressure	Max. 10 bar
Intended Use	Central Heating Systems

Tds Qr Code

PRODUCT CODE	SIZE	PCS/BOX	PCS/GROSS	D1	D2	L1	H1	H2	H3
80.60.710	1"	6	0,992	1/2"	1"	146,5	140	120	113

2 WAY VALVE - 3 WAY VALVE



Pressure Rating	PN16
Operating Temperature	0 / 110°C
Stem Stroke	3 mm

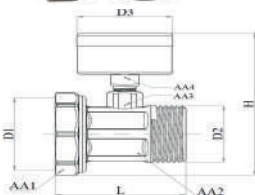
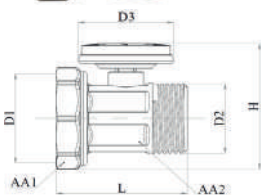
Tds Qr Code

Pressure Rating	PN16
Operating Temperature	0 / 110°C
Stem Stroke	2.7 mm

Tds Qr Code

PRODUCT CODE	SIZE	PCS/BOX	PCS/GROSS
20.06.002	1"	30	0,410
20.06.003	1"	30	0,6800

THERMOMETER & MANOMETER MANIFOLD UNION



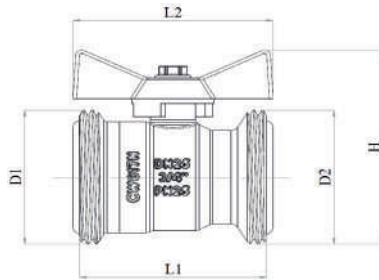
Application Area	Installation Systems
-------------------------	----------------------

Tds Qr Code

PRODUCT CODE	SIZE	PCS/BOX	PCS/GROSS	D1	D2	D3	AA1	AA2
20.06.005	1" Thermometer	30	0,225	1 1/4"	1"	40	45	31
20.06.006	1" Manometer	30	0,265	1 1/4"	1"	40	45	31



DOUBLE-ENDED CONNECTION VALVE



Operating Temperature	-10°C / +100°C
Pressure Rating	PN25
Application Area	Plumbing Systems

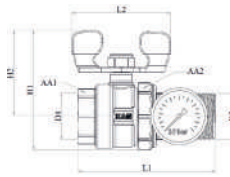
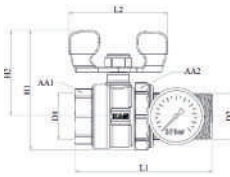
Tds Qr Code



PRODUCT CODE	SIZE	PCS/BOX	PCS/GROSS	DN	D1	D2	L1	L2	H
20.06.001	1"	50	0,235	25	1 1/4"	1 1/4"	50	53,4	60

UNDERFLOOR HEATING
MANIFOLD & SYSTEMS

BALL VALVE WITH THERMOMETER & MANOMETER



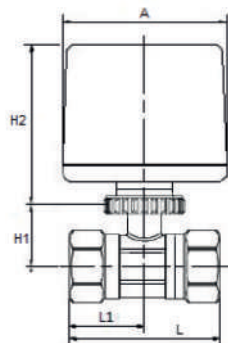
Operating Temperature	-10°C / +100°C
Pressure Rating	PN40
Application Area	Plumbing Systems

Tds Qr Code



PRODUCT CODE	SIZE	PCS/BOX	PCS/GROSS	DN	D1	D2	AA1	AA2	L1
08.15.327	1" Thermometer	20	0,550	25	1"	1"	36,5	45	98
08.16.327	1" Manometer	20	0,570	25	1"	1"	36,5	45	98

2 WAY MOTORIZED BALL VALVE



Power Supply	AC 220 V
Power Consumption	5 W (during position change)
Operating Time	15 s (50 Hz) / 12 s (60 Hz)

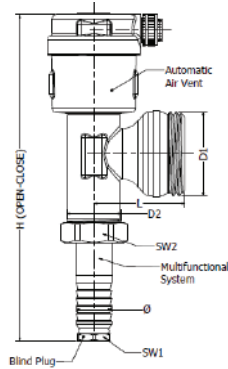
Tds Qr Code



PRODUCT CODE	SIZE	PCS/BOX	PCS/GROSS	DN
20.05.002	1"	10	0,900	25



1" DRAIN COCK FOR MANIFOLD



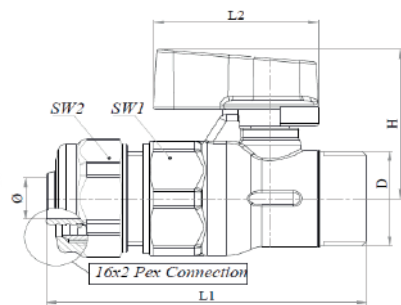
Working Temperature	Max. 120°C
Pressure Class	PN10
Intended Use	Water Installation Systems

Tds Qr Code



PRODUCT CODE	SIZE	PCS/BOX	PCS/GROSS	D1	D2	L	H(OPEN)	H(CLOSE)	SW1
18.09.350	Manuel	75	0,180	1"	M22x1,5	36	87	96	12
18.09.351	Auto	50	0,256	1"	M22x1,5	36	121	130	12

MINI BRASS BALL VALVE FOR PIPE CONNECTION



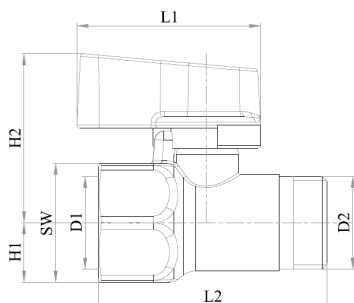
Working Temperature	³10°C / +100°C
Working Pressure	10 bar
Intended Use	Air / Water Installation Systems

Tds Qr Code



PRODUCT CODE	SIZE	PCS/BOX	PCS/GROSS	D	SW1	L1	L2	Ø	H
05.02.312	Pex/ Pe-Rt M 1/2" 16 x 2	150	0,146	15	25	63,4	32	9	32,6
05.02.313	Pex/ Pe-Rt M 1/2" 17 x 2	150	0,156	15	25 mm	71,5mm	32 mm	9,5 mm	43,9 mm
05.02.311	Pex/ Pe-Rt M 1/2" 16 x 2	150	0,156	3/8"	21	54,4	32	9	30,4
05.04.313	Pex/ Pe-Rt M 1/2" 20 x 2	120	0,166						

MINI BRASS BALL VALVE



Working Temperature	³10°C / +100°C
Working Pressure	10 bar
Intended Use	Air / Water Installation Systems


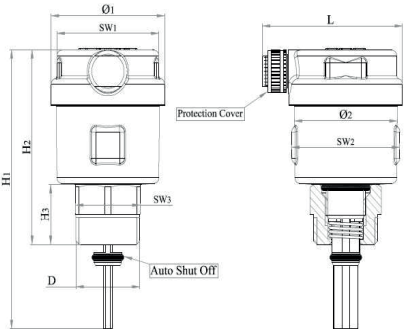
Tds Qr Code




PRODUCT CODE	SIZE	PCS/BOX	PCS/GROSS	D1	D2	SW(mm)	L1(MM)	L2(MM)	H1(MM)
05.03.321	3/8"	250	0,062	3/8"	3/8"	21	32	40,2	10,5
05.03.322	1/2"	200	0,097	1/2"	1/2"		32		12,5
05.03.323	3/4"	120	0,143	3/4"	3/4"		32		15,5




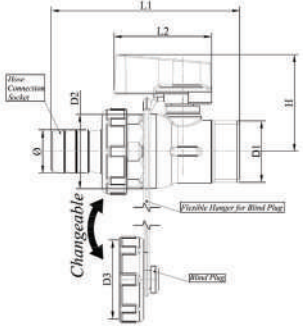
AIR VENT





Operating Temperature	Max. 110°C
Operating Pressure	Max. 10 bar
Intended Use	Water Installation Systems
Tds Qr Code	

PRODUCT CODE	SIZE	PCS/BOX	PCS/GROSS	D	Ø1	Ø2	H1	H2	H3
80.57.507	1/2"	76	0,134	1/2"	36,7	33,3	80	56	17,5


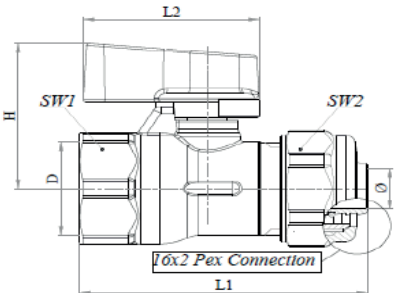
MINI BRASS BALL VALVE WITH HOSE CONN. SOCKET + BLIND PLUG





Working Temperature	-10°C / +100°C
Working Pressure	10 bar
Intended Use	Air / Water installation
Tds Qr Code	

PRODUCT CODE	SIZE	PCS/BOX	PCS/GROSS	D1	D2	D3	L1(MM)	L2(MM)	H(MM)
05.04.322	PEX/ PE-RT M 1/2"	100	0,129	1/2"	3/4"	3/4"	62,5	32	32

MINI BRASS BALL VALVE FOR PIPE CONNECTION

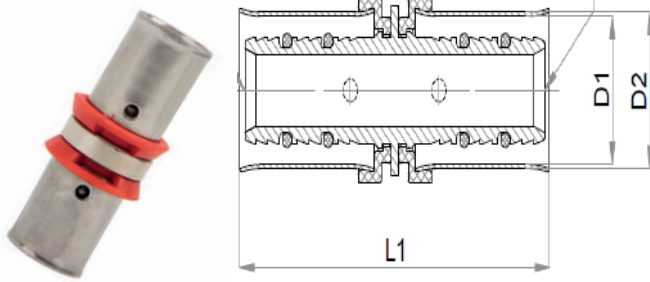



Working Temperature	-10°C / +100°C
Working Pressure	10 bar
Intended Use	Air / Water installation
Tds Qr Code	

PRODUCT CODE	SIZE	PCS/BOX	PCS/GROSS	D1	Ø	SW1(mm)	L1(MM)	L2(MM)	H(MM)
05.01.312	Pex/ Pe-Rt F 1/2" 16x2	180	0,125	15	9	25	53,4	32	32,6
05.01.313	Pex/ Pe-Rt F 1/2" 17x2	150	0,135	15	9,5	25	53,6	32	32,6



UNDERFLOOR HEATING SYSTEM PIPES PRESS COUPLING



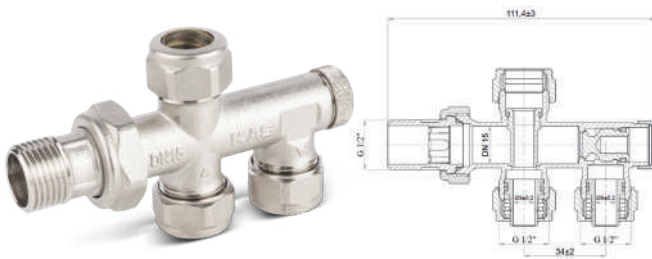
Application Area	Installation Systems
------------------	----------------------

Tds Qr Code



PRODUCT CODE	SIZE	PCS/BOX	PCS/GROSS	D1	D2	L1
20.06.004	16x2	20	0,042	17,3	16,4	53,9

MANIFOLD BY-PASS



Working Temperature	Max 120°C
---------------------	-----------

Max 120°C

Pressure Class	Max. 10 Bar
----------------	-------------

Max. 10 Bar

Intended Use	Plumbing Systems
--------------	------------------

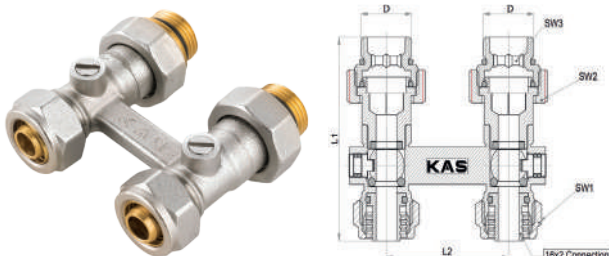
Plumbing Systems

Tds Qr Code



PRODUCT CODE	SIZE	PCS/BOX	PCS/GROSS	D1
14.01.878	16x2	40	0,286	15

MANIFOLD BY-PASS / H-VENTIL



Standard	TS 579
----------	--------

TS 579

Working Temperature	Max. 120°C
---------------------	------------

Max. 120°C

Pressure Class	Max. 10 Bar
----------------	-------------

Max. 10 Bar

Intended Use	Plumbing Systems
--------------	------------------

Plumbing Systems

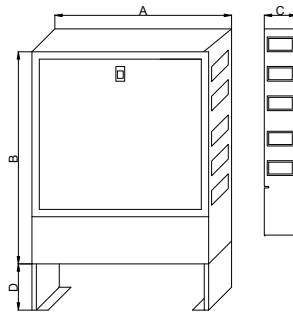
Tds Qr Code



PRODUCT CODE	SIZE	PCS/BOX	PCS/GROSS	L1	L2	D	SW1	SW2	SW3
06.05.881	H-Ventil	40	0,335	68,5	50	1/2"	24	29,5	12



MANIFOLD BOX

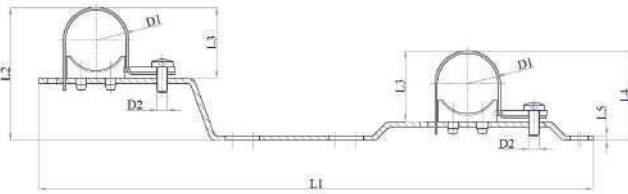


Type	Flush-Mounted
Body Material	Galvanized Sheet Metal
Frame and Cover Material	Cold-Rolled Sheet Metal
Tds Qr Code	

PRODUCT CODE	SIZE	DEPTH	PCS/BOX	PCS/GROSS
70.01.491	60x70	11 cm	1	*
70.01.492	80x70	11 cm	1	*
70.01.493	100x70	11 cm	1	*
70.01.494	120x70	11 cm	1	*

UNDERFLOOR HEATING
MANIFOLD & SYSTEMS

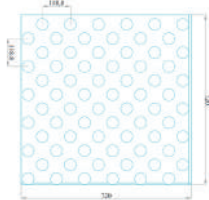
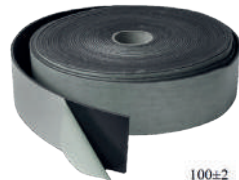
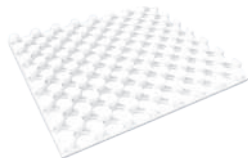
MANIFOLD CLAMP



Application Area	Installation Systems
Tds Qr Code	

PRODUCT CODE	SIZE	PCS/BOX	PCS/GROSS	D1	L1	L2	L3	L4
18.20.502	1"	40	0,224	M6	321	83	58	45
18.20.503	1 1/4"	40	0,282	M6	321	83	58	45
18.20.504	1"	40	0,215	R17,5	321±4	77	41	52

UNDERFLOOR HETAING INSULATION PANEL AND EDGE TAP

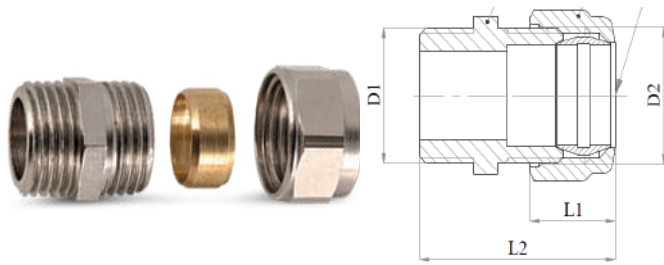


Application Area	Installation Systems
Tds Qr Code	

PRODUCT CODE	SIZE	PCS/BOX	PCS/GROSS
20.08.010	72x72 cm	10	0,500
20.08.011	60x120 cm	10	*
20.08.019	Edge Insulation Tap 20m, 5mmx100mm	1	0,152
20.08.020	Edge Insulation Tap 25m, 3mmx100mm	1	*



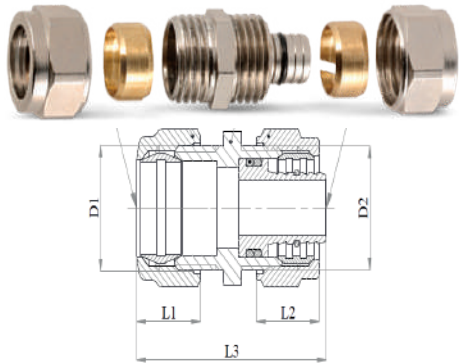
UNDERFLOOR UNION FOR PIPE CONNECTION



Intended Use	Installation Systems
Tds Qr Code	

PRODUCT CODE	SIZE	PCS/BOX	PCS/GROSS	D1(THREAD)	D2(THREAD)	AA1	AA2	L1	L2
06.01.314	16x2	250	0,054	1/2"	1/2"	21	24	14,2	32,6

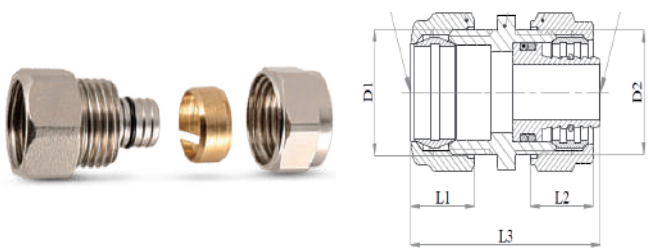
HOSE CONNECTION COUPLING



Intended Use	Installation Systems
Tds Qr Code	

PRODUCT CODE	SIZE	PCS/BOX	PCS/GROSS	D1	D2	AA1	AA2	AA3	L1
06.03.320	16x2	250	0,079	1/2"	1/2"	24	22	24	14,2

UNDERFLOOR UNION FOR PIPE CONNECTION



Intended Use	Installation Systems
Tds Qr Code	

PRODUCT CODE	SIZE	PCS/BOX	PCS/GROSS	D1	D2	AA1	AA2	L1	L2
06.02.315	16x2	250	0,062	1/2"	1/2"	24	24	14,1	33,5
06.02.316	17x2	250	0,085						



UNDERFLOOR UNION FOR PIPE CONNECTION

	Intended Use		Installation Systems						
	Tds Qr Code								
PRODUCT CODE	SIZE	PCS/BOX	PCS/GROSS	D1(THREAD)	D2(THREAD)	AA1	AA2	L1	L2
06.01.317	17x2	250	0,080	1/2"	M23x1,5	25	26	16	38,5
06.01.318	16x2	250	0,054						

UNDERFLOOR HEATING MANIFOLD & SYSTEMS

UNDERFLOOR UNION FOR PIPE CONNECTION

	Intended Use		Installation Systems						
	Tds Qr Code								
PRODUCT CODE	SIZE	PCS/BOX	PCS/GROSS	D1	D2	AA1	AA2	AA3	L1
06.03.319	16x2	250	0,084	1/2"	1/2"	24	21	24	14,1

UNDERFLOOR HEATING HOSE BLIND PLUG

	Intended Use		Installation Systems					
	Tds Qr Code							
PRODUCT CODE	SIZE	PCS/BOX	PCS/GROSS	D (THREAD)	AA1	AA2	L	
06.04.480	16x2	250	0,079	G 1/2"	24	14	23,6	




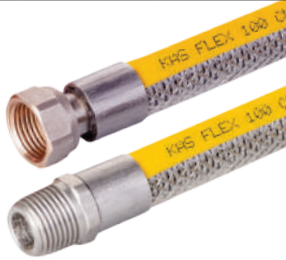
**Flexible
Metal Hose**
Groups ▶

KAS




EN 14800 GAS CONNECTION HOSES / NUT - NIPPLE (F/M)







Standard	EN 14800
Working Temperature	Max. 60°C
Working Pressure	0.5 Bar
Intended Use	Gas Application


PRODUCT CODE	SIZE	PCS/BOX	PCS/GROSS	Tds QR CODE
54.06.050	50 cm - (1/2" - 1/2")	25	0,255	
54.06.075	75 cm - (1/2" - 1/2")	25	0,321	
54.06.100	100 cm - (1/2" - 1/2")	25	0,399	
54.06.125	125 cm - (1/2" - 1/2")	25	0,467	
54.06.150	150 cm - (1/2" - 1/2")	20	0,515	
54.06.175	175 cm - (1/2" - 1/2")	20	0,591	
54.06.200	200 cm - (1/2" - 1/2")	20	0,655	

EN 14800 GAS CONNECTION HOSES / NUT - NUT (F/F)







Standard	EN 14800
Working Temperature	Max. 60°C
Working Pressure	0.5 Bar
Intended Use	Gas Application


PRODUCT CODE	SIZE	PCS/BOX	PCS/GROSS	Tds QR CODE
54.07.050	50 cm - (1/2" - 1/2")	25	0,219	
54.07.075	75 cm - (1/2" - 1/2")	25	0,305	
54.07.100	100 cm - (1/2" - 1/2")	25	0,352	
54.07.125	125 cm - (1/2" - 1/2")	25	0,423	
54.07.150	150 cm - (1/2" - 1/2")	20	0,393	
54.07.175	175 cm - (1/2" - 1/2")	20	0,245	
54.07.200	200 cm - (1/2" - 1/2")	20	0,619	

EN 15266 FLEX PVC COVERED WITH RING









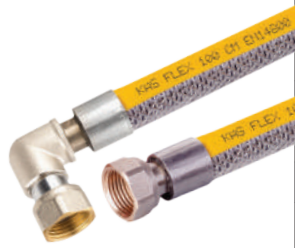

Standard	EN 15266
Working Temperature	Max. 60°C
Working Pressure	0.5 Bar
Intended Use	Gas Application

PRODUCT CODE	SIZE	PCS/BOX	PCS/GROSS	Tds QR CODE
54.02.050	50 cm - (1/2" - 1/2")	50	0,230	
54.02.075	75 cm - (1/2" - 1/2")	25	0,330	
54.02.100	100 cm - (1/2" - 1/2")	25	0,400	
54.02.125	125 cm - (1/2" - 1/2")	25	0,445	
54.02.150	150 cm - (1/2" - 1/2")	20	0,500	
54.02.200	200 cm - (1/2" - 1/2")	15	0,620	
54.02.300	300 cm - (1/2" - 1/2")	12	0,830	
54.02.400	400 cm - (1/2" - 1/2")	12	0,900	

FLEXIBLE METAL HOSE GROUPS



EN 14800 GAS CONNECTION HOSES / WITH ELBOW (F/M)				
 		Standard		EN 14800
		Working Temperature		Max.60°C
		Working Pressure		Max. 0,5 Bar
		Intended Use		Gas Applications
PRODUCT CODE	SIZE	PCS/BOX	PCS/GROSS	Tds QR CODE
1/2" - 1/2"				
54.11.050	50 cm	25	0,221	
54.11.075	75 cm	25	0,321	
54.11.100	100 cm	25	0,426	
54.11.125	125 cm	25	0,527	
54.11.150	150 cm	25	0,637	
54.11.175	175 cm	25	0,642	
54.11.200	200 cm	25	0,826	

EN 14800 GAS CONNECTION HOSES / WITH ELBOW (F/F)				
 		Standard		EN 14800
		Working Temperature		Max.60°C
		Working Pressure		Max. 0,5 Bar
		Intended Use		Gas Applications
PRODUCT CODE	SIZE	PCS/BOX	PCS/GROSS	Tds QR CODE
1/2" - 1/2"				
54.10.050	50 cm	30	0,450	
54.10.075	75 cm	30	0,675	
54.10.100	100 cm	30	0,900	
54.10.125	125 cm	20	1,125	
54.10.150	150 cm	20	1,350	
54.10.175	175 cm	20	1,575	
54.10.200	200 cm	20	1,800	



EN 14800 GAS CONNECTION HOSES / WITH BAYONET (M/M)



Standard	EN 14800
Working Temperature	Max.60°C
Working Pressure	Max. 0,5 Bar
Intended Use	Gas Applications

PRODUCT CODE	SIZE	PCS/BOX	PCS/GROSS	Tds QR CODE
1/2" - 1/2"				
54.13.050	50 cm	30	0,450	
54.13.075	75 cm	30	0,675	
54.13.100	100 cm	30	0,900	
54.13.125	125 cm	20	1,125	
54.13.150	150 cm	20	1,350	
54.13.175	175 cm	20	1,575	
54.13.200	200 cm	20	1,800	

EN 14800 GAS CONNECTION HOSES / WITH BAYONET (M/F)



Standard	EN 14800
Working Temperature	Max.60°C
Working Pressure	Max. 0,5 Bar
Intended Use	Gas Applications

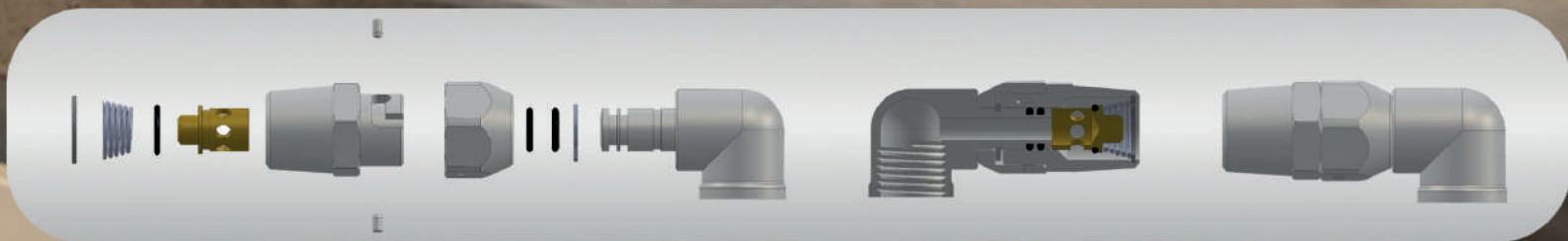
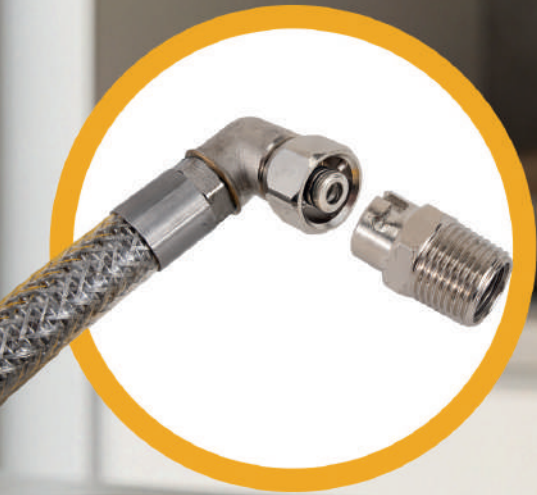
PRODUCT CODE	SIZE	PCS/BOX	PCS/GROSS	Tds QR CODE
1/2" - 1/2"				
54.14.050	50 cm	30	0,450	
54.14.075	75 cm	30	0,675	
54.14.100	100 cm	30	0,900	
54.14.125	125 cm	20	1,125	
54.14.150	150 cm	20	1,350	
54.14.175	175 cm	20	1,575	
54.14.200	200 cm	20	1,800	



Installation
Video



EN 14800 GAS CONNECTION HOSES WITH SECURITY VALVE





EN 14800 GAS CONNECTION HOSES / WITH SECURITY VALVE (M/F)



Standard	EN 14800
Working Temperature	Max.60°C
Working Pressure	Max. 0,5 Bar
Intended Use	Gas Applications

PRODUCT CODE	SIZE	PCS/BOX	PCS/GROSS	Tds QR CODE
1/2" - 1/2"				
54.25.050	50 cm	25	0,390	
54.25.075	75 cm	25	0,460	
54.25.100	100 cm	25	0,530	
54.25.125	125 cm	20	0,600	
54.25.150	150 cm	20	0,680	
54.25.175	175 cm	20	0,730	
54.25.200	200 cm	20	0,790	

FLEXIBLE METAL HOSE GROUPS

EN 14800 GAS CONNECTION HOSES / WITH SECURITY VALVE (M/M)



Standard	EN 14800
Working Temperature	Max.60°C
Working Pressure	Max. 0,5 Bar
Intended Use	Gas Applications

PRODUCT CODE	SIZE	PCS/BOX	PCS/GROSS	Tds QR CODE
1/2" - 1/2"				
54.17.050	50 cm	25	0,384	
54.17.075	75 cm	25	0,450	
54.17.100	100 cm	25	0,530	
54.17.125	125 cm	20	0,610	
54.17.150	150 cm	20	0,670	
54.17.175	175 cm	20	0,750	
54.17.200	200 cm	20	0,830	



EXTENSIBLE
Connection Hoses

WELL

THE LONG, FLEXIBLE &
SHORT OF IT



FLEXIBLE METAL
HOSE GROUPS

kiwa
UNI 11353



**EXTENSIBLE CONNECTION HOSES
NUT - NIPPLE (F/M)**



PRODUCT CODE	SIZE	PCS/BOX	PCS/GROSS
1/2" - 1/2"			
30.11.020	10 - 20 cm	75	0,090
30.21.040	20 - 40 cm	75	0,124
30.31.060	30 - 60 cm	75	0,145
30.51.100	50 - 100 cm	75	0,175
30.76.150	75 - 150 cm	50	0,225
30.11.200	100 - 200 cm	50	0,265
3/4" - 3/4" (DN 16)			
31.11.020	10 - 20 cm	50	0,178
31.21.040	20 - 40 cm	50	0,179
31.31.060	30 - 60 cm	50	0,214
31.51.100	50 - 100 cm	50	0,290
31.76.150	75 - 150 cm	30	0,372
31.11.200	100 - 200 cm	30	0,459
1" - 1"			
32.11.020	10 - 20 cm	30	0,606
32.21.040	20 - 40 cm	30	0,670
32.31.060	30 - 60 cm	30	0,734
32.51.100	50 - 100 cm	30	0,862
32.76.150	75 - 150 cm	20	1,022
32.11.200	100 - 200 cm	20	1,182
3/4" - 1/2"			
33.11.020	10 - 20 cm	100	0,093
33.21.040	20 - 40 cm	75	0,130
33.31.060	30 - 60 cm	75	0,156
33.51.100	50 - 100 cm	75	0,190
33.76.150	75 - 150 cm	50	0,260
33.11.200	100 - 200 cm	50	0,315
3/4" - 3/4" (DN 20)			
35.11.020	10 - 20 cm	100	0,115
35.21.040	20 - 40 cm	50	0,166
35.31.060	30 - 60 cm	30	0,195
35.51.100	50 - 100 cm	50	0,300
35.76.150	75 - 150 cm	25	0,420
35.11.200	100 - 200 cm	30	0,570

**EXTENSIBLE CONNECTION HOSES
NUT - NIPPLE (F/F)**



PRODUCT CODE	SIZE	PCS/BOX	PCS/GROSS
1/2" - 1/2"			
30.10.020	10 - 20 cm	75	0,086
30.20.040	20 - 40 cm	75	0,114
30.30.060	30 - 60 cm	75	0,133
30.50.100	50 - 100 cm	75	0,168
30.75.150	75 - 150 cm	50	0,218
30.10.200	100 - 200 cm	50	0,260
3/4" - 3/4" (DN 16)			
31.10.020	10 - 20 cm	50	0,173
31.20.040	20 - 40 cm	50	0,168
31.30.060	30 - 60 cm	50	0,203
31.50.100	50 - 100 cm	50	0,273
31.75.150	75 - 150 cm	30	0,361
31.10.200	100 - 200 cm	30	0,448
1" - 1"			
32.10.020	10 - 20 cm	30	0,469
32.20.040	20 - 40 cm	30	0,533
32.30.060	30 - 60 cm	30	0,597
32.50.100	50 - 100 cm	30	0,725
32.75.150	75 - 150 cm	20	0,885
32.10.200	100 - 200 cm	20	1,045
1/2" - 3/4"			
33.10.020	10 - 20 cm	100	0,076
33.20.040	20 - 40 cm	75	0,119
33.30.060	30 - 60 cm	75	0,144
33.50.100	50 - 100 cm	75	0,178
33.75.150	75 - 150 cm	50	0,243
33.10.200	100 - 200 cm	50	0,303
3/4" - 3/4" (DN 20)			
35.10.020	10 - 20 cm	100	0,115
35.20.040	20 - 40 cm	50	0,166
35.30.060	30 - 60 cm	30	0,195
35.50.100	50 - 100 cm	50	0,300
35.75.150	75 - 150 cm	25	0,420
35.10.200	100 - 200 cm	30	0,570

*Economic model with carbon steel fittings are available on request



AENOR

The strength beneath comfort.



COATED EXTENSIBLE CONNECTION HOSES NUT - NIPPLE (F/M)



PRODUCT CODE	SIZE	PCS/BOX	PCS/GROSS
1/2" - 1/2"			
30.11.021	10 - 20 cm	75	0,094
30.21.041	20 - 40 cm	75	0,127
30.31.061	30 - 60 cm	75	0,150
30.51.101	50 - 100 cm	75	0,180
30.76.151	75 - 150 cm	50	0,233
30.11.201	100 - 200 cm	50	0,273
3/4" - 3/4" (DN 16)			
31.11.021	10 - 20 cm	50	0,182
31.21.041	20 - 40 cm	50	0,192
31.31.061	30 - 60 cm	50	0,218
31.51.101	50 - 100 cm	50	0,295
31.76.151	75 - 150 cm	30	0,376
31.11.201	100 - 200 cm	30	0,467
1" - 1"			
32.11.021	10 - 20 cm	30	0,469
32.21.041	20 - 40 cm	30	0,533
32.31.061	30 - 60 cm	30	0,597
32.51.101	50 - 100 cm	30	0,725
32.76.151	75 - 150 cm	20	0,885
32.11.201	100 - 200 cm	20	1,045
3/4" - 1/2"			
33.11.021	10 - 20 cm	100	0,093
33.21.041	20 - 40 cm	75	0,130
33.31.061	30 - 60 cm	75	0,156
33.51.101	50 - 100 cm	75	0,190
33.76.151	75 - 150 cm	50	0,260
33.11.201	100 - 200 cm	50	0,315
3/4" - 3/4" (DN 20)			
35.11.021	10 - 20 cm	100	0,115
35.21.041	20 - 40 cm	50	0,166
35.31.061	30 - 60 cm	30	0,195
35.51.101	50 - 100 cm	50	0,300
35.76.151	75 - 150 cm	25	0,420
35.11.201	100 - 200 cm	30	0,570

COATED EXTENSIBLE CONNECTION HOSES NUT - NIPPLE (F/F)



PRODUCT CODE	SIZE	PCS/BOX	PCS/GROSS
1/2" - 1/2"			
30.10.021	10 - 20 cm	75	0,090
30.20.041	20 - 40 cm	75	0,117
30.30.061	30 - 60 cm	75	0,138
30.50.101	50 - 100 cm	75	0,176
30.75.151	75 - 150 cm	50	0,225
30.10.201	100 - 200 cm	50	0,269
3/4" - 3/4" (DN 16)			
31.10.021	10 - 20 cm	50	0,177
31.20.041	20 - 40 cm	50	0,168
31.30.061	30 - 60 cm	50	0,206
31.50.101	50 - 100 cm	50	0,284
31.75.151	75 - 150 cm	30	0,365
31.10.201	100 - 200 cm	30	0,456
1" - 1"			
32.10.021	10 - 20 cm	30	0,606
32.20.041	20 - 40 cm	30	0,670
32.30.061	30 - 60 cm	30	0,734
32.50.101	50 - 100 cm	30	0,862
32.75.151	75 - 150 cm	20	1,022
32.10.201	100 - 200 cm	20	1,182
1/2" - 3/4"			
33.10.021	10 - 20 cm	100	0,076
33.20.041	20 - 40 cm	75	0,119
33.30.061	30 - 60 cm	75	0,144
33.50.101	50 - 100 cm	75	0,178
33.75.151	75 - 150 cm	50	0,243
33.10.201	100 - 200 cm	50	0,303
3/4" - 3/4" (DN 20)			
35.10.021	10 - 20 cm	100	0,115
35.20.041	20 - 40 cm	50	0,166
35.30.061	30 - 60 cm	30	0,195
35.50.101	50 - 100 cm	50	0,300
35.75.151	75 - 150 cm	25	0,420
35.10.201	100 - 200 cm	30	0,570

*Economic model with carbon steel fittings are available on request



COATED EXTENSIBLE CONNECTION HOSES NUT - NIPPLE (F/M)



COATED EXTENSIBLE CONNECTION HOSES NUT - NUT (F/F)



PRODUCT CODE	SIZE	PCS/BOX	PCS/GROSS
1/2" - 1/2"			
30.11.029	10 - 20 cm	75	0,090
30.21.049	20 - 40 cm	75	0,124
30.31.069	30 - 60 cm	75	0,145
30.51.109	50 - 100 cm	75	0,175
30.76.159	75 - 150 cm	50	0,225
30.11.209	100 - 200 cm	50	0,265
3/4" - 3/4" (DN 16)			
31.11.029	10 - 20 cm	50	0,178
31.21.049	20 - 40 cm	50	0,179
31.31.069	30 - 60 cm	50	0,214
31.51.109	50 - 100 cm	50	0,290
31.76.159	75 - 150 cm	30	0,372
31.11.209	100 - 200 cm	30	0,459
1" - 1"			
32.11.029	10 - 20 cm	30	0,469
32.21.049	20 - 40 cm	30	0,533
32.31.069	30 - 60 cm	30	0,597
32.51.109	50 - 100 cm	30	0,725
32.76.159	75 - 150 cm	20	0,885
32.11.209	100 - 200 cm	20	1,045
3/4" - 1/2"			
33.11.029	10 - 20 cm	100	0,093
33.21.049	20 - 40 cm	75	0,130
33.31.069	30 - 60 cm	75	0,156
33.51.109	50 - 100 cm	75	0,190
33.76.159	75 - 150 cm	50	0,260
33.11.209	100 - 200 cm	50	0,315
3/4" - 3/4" (DN 20)			
35.11.029	10 - 20 cm	100	0,115
35.21.049	20 - 40 cm	50	0,166
35.31.069	30 - 60 cm	30	0,195
35.51.109	50 - 100 cm	50	0,300
35.76.159	75 - 150 cm	25	0,420
35.11.209	100 - 200 cm	30	0,570

PRODUCT CODE	SIZE	PCS/BOX	PCS/GROSS
1/2" - 1/2"			
30.10.029	10 - 20 cm	75	0,086
30.20.049	20 - 40 cm	75	0,114
30.30.069	30 - 60 cm	75	0,133
30.50.109	50 - 100 cm	75	0,168
30.75.159	75 - 150 cm	50	0,218
30.10.209	100 - 200 cm	50	0,260
3/4" - 3/4" (DN 16)			
31.10.029	10 - 20 cm	50	0,173
31.20.049	20 - 40 cm	50	0,168
31.30.069	30 - 60 cm	50	0,203
31.50.109	50 - 100 cm	50	0,273
31.75.159	75 - 150 cm	30	0,361
31.10.209	100 - 200 cm	30	0,448
1" - 1"			
32.10.029	10 - 20 cm	30	0,606
32.20.049	20 - 40 cm	30	0,670
32.30.069	30 - 60 cm	30	0,734
32.50.109	50 - 100 cm	30	0,862
32.75.159	75 - 150 cm	20	1,022
32.10.209	100 - 200 cm	20	1,182
1/2" - 3/4"			
33.10.029	10 - 20 cm	100	0,076
33.20.049	20 - 40 cm	75	0,119
33.30.069	30 - 60 cm	75	0,144
33.50.109	50 - 100 cm	75	0,178
33.75.159	75 - 150 cm	50	0,243
33.10.209	100 - 200 cm	50	0,303
3/4" - 3/4" (DN 20)			
35.10.029	10 - 20 cm	100	0,115
35.20.049	20 - 40 cm	50	0,166
35.30.069	30 - 60 cm	30	0,195
35.50.109	50 - 100 cm	50	0,300
35.75.159	75 - 150 cm	25	0,420
35.10.209	100 - 200 cm	30	0,570

*Economic model with carbon steel fittings are available on request



AENOR

The strength beneath comfort.



GAS CONNECTION HOSES NUT - NIPPLE (F/M)



GAS CONNECTION HOSES NUT - NUT (F/F)



PRODUCT CODE	SIZE	PCS/BOX	PCS/GROSS
Cooker-Oven-Stove (1/2" - 1/2")			
41.10.030	30 cm	75	0,119
41.10.040	40 cm	75	0,127
41.10.050	50 cm	75	0,138
41.10.060	60 cm	75	0,149
41.10.070	70 cm	75	0,161
41.10.080	80 cm	50	0,174
41.10.090	90 cm	50	0,186
41.10.100	100 cm	50	0,196
41.10.120	120 cm	50	0,220
41.10.150	150 cm	20	0,257
Combi Boiler (3/4" - 1/2")			
41.12.030	30 cm	50	0,135
41.12.040	40 cm	50	0,145
41.12.050	50 cm	50	0,155
41.12.060	60 cm	50	0,170
41.12.070	70 cm	50	0,180
41.12.080	80 cm	50	0,191
41.12.090	90 cm	50	0,202
41.12.100	100 cm	30	0,213
41.12.120	120 cm	30	0,235
41.12.150	150 cm	30	0,267
41.12.200	200 cm	20	0,323
*Pipe 1/2"			
Combi Boiler (3/4" - 3/4")			
42.13.030	30 cm	50	0,163
42.13.040	40 cm	50	0,185
42.13.050	50 cm	50	0,207
42.13.060	60 cm	30	0,229
42.13.070	70 cm	30	0,251
42.13.080	80 cm	30	0,273
42.13.090	90 cm	30	0,295
42.13.100	100 cm	30	0,317
42.13.120	120 cm	30	0,361
42.13.150	150 cm	20	0,411
42.13.200	200 cm	20	0,487

PRODUCT CODE	SIZE	PCS/BOX	PCS/GROSS
Cooker-Oven-Stove (1/2" - 1/2")			
41.18.030	30 cm	75	0,113
41.18.040	40 cm	75	0,123
41.18.050	50 cm	75	0,134
41.18.060	60 cm	50	0,143
41.18.070	70 cm	50	0,154
41.18.080	80 cm	50	0,168
41.18.090	90 cm	50	0,181
41.18.100	100 cm	50	0,194
41.18.120	120 cm	50	0,214
41.18.150	150 cm	25	0,251
Combi Boiler (3/4" - 1/2")			
41.14.030	30 cm	50	0,129
41.14.040	40 cm	50	0,139
41.14.050	50 cm	50	0,149
41.14.060	60 cm	50	0,164
41.14.070	70 cm	50	0,174
41.14.080	80 cm	50	0,185
41.14.090	90 cm	50	0,196
41.14.100	100 cm	30	0,208
41.14.120	120 cm	30	0,229
41.14.150	150 cm	30	0,261
41.14.200	200 cm	20	0,317
*Pipe 1/2"			
Combi Boiler (3/4" - 3/4")			
42.19.030	30 cm	50	0,155
42.19.040	40 cm	50	0,179
42.19.050	50 cm	50	0,201
42.19.060	60 cm	30	0,223
42.19.070	70 cm	30	0,244
42.19.080	80 cm	30	0,267
42.19.090	90 cm	30	0,289
42.19.100	100 cm	30	0,311
42.19.120	120 cm	30	0,355
42.19.150	150 cm	20	0,406
42.19.200	200 cm	20	0,481

FLEXIBLE METAL HOSE GROUPS



INSULATED GAS CONNECTION HOSES NUT - NIPPLE (F/M)





PRODUCT CODE	SIZE	PCS/BOX	PCS/GROSS
Cooker-Oven-Stove (1/2" - 1/2")			
41.11.030	30 cm	75	0,123
41.11.040	40 cm	75	0,142
41.11.050	50 cm	50	0,161
41.11.060	60 cm	50	0,170
41.11.070	70 cm	50	0,182
41.11.080	80 cm	50	0,192
41.11.090	90 cm	50	0,205
41.11.100	100 cm	50	0,215
41.11.120	120 cm	50	0,235
41.11.150	150 cm	20	0,261
Combi Boiler (3/4" - 1/2")			
41.13.030	30 cm	50	0,140
41.13.040	40 cm	50	0,151
41.13.050	50 cm	50	0,162
41.13.060	60 cm	50	0,174
41.13.070	70 cm	50	0,185
41.13.080	80 cm	50	0,196
41.13.090	90 cm	50	0,206
41.13.100	100 cm	30	0,218
41.13.120	120 cm	30	0,240
41.13.150	150 cm	30	0,272
41.13.200	200 cm	20	0,328
*Pipe 1/2"			
Combi Boiler (3/4" - 3/4")			
42.20.030	30 cm	50	0,175
42.20.040	40 cm	50	0,185
42.20.050	50 cm	50	0,195
42.20.060	60 cm	30	0,212
42.20.070	70 cm	30	0,230
42.20.080	80 cm	30	0,255
42.20.090	90 cm	30	0,265
42.20.100	100 cm	30	0,290
42.20.120	120 cm	30	0,322
42.20.150	150 cm	20	0,373
42.20.200	200 cm	20	0,458

INSULATED GAS CONNECTION HOSES NUT - NUT (F/F)




PRODUCT CODE	SIZE	PCS/BOX	PCS/GROSS
Cooker-Oven-Stove (1/2" - 1/2")			
41.19.030	30 cm	75	0,117
41.19.040	40 cm	75	0,136
41.19.050	50 cm	75	0,155
41.19.060	60 cm	50	0,164
41.19.070	70 cm	50	0,176
41.19.080	80 cm	50	0,199
41.19.090	90 cm	50	0,209
41.19.100	100 cm	50	0,221
41.19.120	120 cm	50	0,232
41.19.150	150 cm	20	0,255
Combi Boiler (3/4" - 1/2")			
41.15.030	30 cm	50	0,134
41.15.040	40 cm	50	0,144
41.15.050	50 cm	50	0,154
41.15.060	60 cm	50	0,169
41.15.070	70 cm	50	0,179
41.15.080	80 cm	50	0,190
41.15.090	90 cm	50	0,201
41.15.100	100 cm	30	0,213
41.15.120	120 cm	30	0,234
41.15.150	150 cm	30	0,265
41.15.200	200 cm	20	0,322
*Pipe 1/2"			
Combi Boiler (3/4" - 3/4")			
42.21.030	30 cm	50	0,170
42.21.040	40 cm	50	0,180
42.21.050	50 cm	50	0,190
42.21.060	60 cm	30	0,207
42.21.070	70 cm	30	0,220
42.21.080	80 cm	30	0,250
42.21.090	90 cm	30	0,260
42.21.100	100 cm	30	0,284
42.21.120	120 cm	30	0,317
42.21.150	150 cm	20	0,367
42.21.200	200 cm	20	0,451



EXTENSIBLE CONNECTION HOSES KIT			
		Standard	UNI 11353
		Working Pressure	Max. 0,5 Bar
		Intended Use	Gas Installation
		Tds Qr Code	
Nut - Nipple (M/F)			
PRODUCT CODE	SIZE	PCS/BOX	PCS/GROSS
38.32.242	Easy KIT (5 Pcs)	15	0,830
Box Contents	DN12-DN12 Extensible Connection Hose 22-42 CM	2 Pieces	
	DN20 - DN20 Extensible Connection Hose 22-42 CM	2 Pieces	
	DN20 - DN20 Coated Extensible Connection Hose 22-42 CM	1 Pieces	

FLEXIBLE METAL HOSE GROUPS

COATED EXTENSIBLE CONNECTION HOSES KIT			
		Standard	UNI 11353
		Working Pressure	Max. 0,5 Bar
		Intended Use	Gas Installation
		Tds Qr Code	
Nut - Nipple (M/F)			
PRODUCT CODE	SIZE	PCS/BOX	PCS/GROSS
38.22.242	Easy KIT (5 Pcs)	15	0,810
Box Contents	DN12-DN12 Coated Extensible Connection Hose 22-42 CM	2 Pieces	
	DN20 - DN20 Coated Extensible Connection Hose 22-42 CM	2 Pieces	
	DN20 - DN20 Coated Extensible Connection Hose 22-42 CM	1 Pieces	

KASTAK®

new generation natural gas installation

EN 15266

Gas: Natural gas, LPG

Product Max Working Pressure:

Less than or equal to 500 mbar (0.5 bar).

KAS-TAK Flex Implementation Area Pressure:

If the implementation is to be used in residential or domestic appliances (boiler, stove, hot water heater, etc.), the gas pressure after the meter can be made for installations up to 21 mbar.

KAS-TAK

CSST / PNT Gas Piping System

High pressure and temperature resistance

Superior resistance to corrosion

Flexible structure resistant to seismic movement and vibration

Fast, safe, and practical installation

Manufactured in compliance with international standards



**Installation
Video**



**Kastak Safety
Video**





KAS - TAK CSST FLEXIBLE S.STEEL HOSES



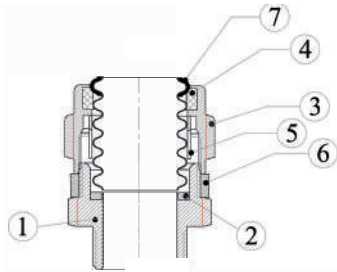
Standard	EN 15266
Working Temperature	Max. 60°C
Working Pressure	0.5 Bar
Intended Use	Gas Application

Tds Qr Code



PRODUCT CODE	SIZE	PCS/BOX	PCS/GROSS
65.16.050	DN 16	1/50	11,40
65.20.025	DN 20	1/25	7,48
65.25.025	DN 25	1/25	9,05
65.32.025	DN 32	1/25	14,68

KAS - TAK QUICK COUPLING SAFE CONNECTION FITTINGS



Standard	EN 15266
Working Temperature	Max. 60°C
Working Pressure	0.5 Bar
Intended Use	Gas Application

Tds Qr Code



PRODUCT CODE	SIZE	PCS/BOX	PCS/GROSS
60.16.012	DN 16 x 1/2"	30	0,153
60.16.016	DN 16 x 3/4"	30	0,159
60.20.012	DN 20 x 1/2"	40	0,150
60.20.016	DN 20 x 3/4"	40	0,156
60.25.012-2	DN 25 x 1/2"	32	0,238
60.25.016-2	DN 25 x 3/4"	32	0,248
60.25.025-2	DN 25 x 1"	24	0,255
60.32.025	DN 32 x 1"	40	0,516
60.32.032	DN 32 x 1" 1/4"	32	0,531

**Water
Connection**
Hoses ▶

Rubber Insulated Fancoil Flex Hoses

- ▲ **Moisture Resistant,**
- ▲ **Less effort,**
- ▲ **Protection against sound.**



Rubber Insulated Fancoil Flex Hoses,

Have a bendable and flexible structure. Reliable, quick and easy connection, saving time, pressure and temperature resistant hoses. It prevents the sweating in heating-cooling systems due to rubber insulation.

Rubber Insulated Fancoil Flex Hoses eliminate the problems caused by rigid connection. In very short distances, you can save time with less effort by using hoses instead of mounting with elbows, coupling and union.

KAS Insulated Fancoil Connection Hoses with long service life; practical, safe, quick and easy installation. Thanks to their flexible structure, they are safe against vibration and noise.



FANCOIL NUT - NIPPLE (F/M)



FANCOIL NUT - NIPPLE (F/F)



PRODUCT CODE	SIZE	PCS/BOX	PCS/GROSS
1/2" - 1/2"			
43.18.020-01	20 cm	25	0,110
43.18.025-01	25 cm	25	0,117
43.18.030-01	30 cm	25	0,120
43.18.035-01	35 cm	25	0,126
43.18.040-01	40 cm	25	0,163
43.18.050-01	50 cm	25	0,166
43.18.060-01	60 cm	25	0,175
43.18.070-01	70 cm	25	0,194
43.18.080-01	80 cm	25	0,205
3/4" - 1/2"			
43.22.020-01	20 cm	25	0,112
43.22.025-01	25 cm	25	0,117
43.22.030-01	30 cm	25	0,122
43.22.035-01	35 cm	25	0,128
43.22.040-01	40 cm	25	0,140
43.22.050-01	50 cm	25	0,155
43.22.060-01	60 cm	25	0,165
43.22.070-01	70 cm	25	0,180
43.22.080-01	80 cm	25	0,210
*Pipe 1/2"			
3/4" - 3/4"			
43.20.020-01	20 cm	25	0,174
43.20.025-01	25 cm	25	0,184
43.20.030-01	30 cm	25	0,189
43.20.035-01	35 cm	25	0,200
43.20.040-01	40 cm	20	0,224
43.20.050-01	50 cm	20	0,232
43.20.060-01	60 cm	20	0,263
43.20.070-01	70 cm	20	0,288
43.20.080-01	80 cm	20	0,310
1" - 3/4"			
43.24.020-01	20 cm	25	0,174
43.24.025-01	25 cm	25	0,184
43.24.030-01	30 cm	25	0,189
43.24.035-01	35 cm	25	0,200
43.24.040-01	40 cm	20	0,224
43.24.050-01	50 cm	20	0,232
43.24.060-01	60 cm	20	0,263
43.24.070-01	70 cm	20	0,288
43.24.080-01	80 cm	20	0,310
*Pipe 3/4"			

PRODUCT CODE	SIZE	PCS/BOX	PCS/GROSS
1/2" - 1/2"			
43.48.020-01	20 cm	25	0,105
43.48.025-01	25 cm	25	0,110
43.48.030-01	30 cm	25	0,115
43.48.035-01	35 cm	25	0,121
43.48.040-01	40 cm	25	0,158
43.48.050-01	50 cm	25	0,162
43.48.060-01	60 cm	25	0,170
43.48.070-01	70 cm	25	0,190
43.48.080-01	80 cm	25	0,200
3/4" - 3/4"			
43.50.020-01	20 cm	25	0,110
43.50.025-01	25 cm	25	0,123
43.50.030-01	30 cm	25	0,135
43.50.035-01	35 cm	25	0,147
43.50.040-01	40 cm	20	0,162
43.50.050-01	50 cm	20	0,175
43.50.060-01	60 cm	20	0,187
43.50.070-01	70 cm	20	0,204
43.50.080-01	80 cm	20	0,221



PRODUCT CODE	SIZE	PCS/BOX	PCS/GROSS
1/2" - 1/2"			
44.20.010-01	10 cm	100	0,074
44.20.020-01	20 cm	100	0,077
44.20.030-01	30 cm	75	0,096
44.20.040-01	40 cm	75	0,106
44.20.050-01	50 cm	75	0,116
44.20.060-01	60 cm	50	0,127
44.20.070-01	70 cm	50	0,133
44.20.080-01	80 cm	50	0,142
44.20.090-01	90 cm	50	0,151
44.20.100-01	100 cm	50	0,160
44.20.120-01	120 cm	50	0,178
44.20.150-01	150 cm	20	0,205
44.20.200-01	200 cm	20	0,250
3/4" - 1/2"			
44.22.010-01	10 cm	100	0,110
44.22.020-01	20 cm	75	0,120
44.22.030-01	30 cm	75	0,130
44.22.040-01	40 cm	50	0,140
44.22.050-01	50 cm	50	0,150
44.22.060-01	60 cm	50	0,157
44.22.070-01	70 cm	50	0,165
44.22.080-01	80 cm	50	0,174
44.22.090-01	90 cm	50	0,183
44.22.100-01	100 cm	50	0,192
44.22.120-01	120 cm	50	0,210
44.22.150-01	150 cm	20	0,237
44.22.200-01	200 cm	20	0,282
*Pipe 1/2"			
3/4" - 3/4"			
45.23.010-01	10 cm	100	0,109
45.23.020-01	20 cm	60	0,124
45.23.030-01	30 cm	50	0,141
45.23.040-01	40 cm	50	0,156
45.23.050-01	50 cm	50	0,171
45.23.060-01	60 cm	30	0,183
45.23.070-01	70 cm	30	0,205
45.23.080-01	80 cm	30	0,221
45.23.090-01	90 cm	30	0,231
45.23.100-01	100 cm	30	0,246
45.23.120-01	120 cm	30	0,263
45.23.150-01	150 cm	20	0,312
45.23.200-01	200 cm	20	0,385



PRODUCT CODE	SIZE	PCS/BOX	PCS/GROSS
1/2" - 1/2"			
44.21.010-01	10 cm	100	0,056
44.21.020-01	20 cm	100	0,065
44.21.030-01	30 cm	75	0,075
44.21.040-01	40 cm	75	0,084
44.21.050-01	50 cm	75	0,094
44.21.060-01	60 cm	50	0,102
44.21.070-01	70 cm	50	0,110
44.21.080-01	80 cm	50	0,118
44.21.090-01	90 cm	50	0,126
44.21.100-01	100 cm	50	0,135
44.21.120-01	120 cm	50	0,155
44.21.150-01	150 cm	20	0,183
44.21.200-01	200 cm	20	0,223
3/4" - 1/2"			
44.23.010-01	10 cm	100	0,086
44.23.020-01	20 cm	75	0,096
44.23.030-01	30 cm	75	0,105
44.23.040-01	40 cm	50	0,114
44.23.050-01	50 cm	50	0,123
44.23.060-01	60 cm	50	0,133
44.23.070-01	70 cm	50	0,143
44.23.080-01	80 cm	50	0,151
44.23.090-01	90 cm	50	0,158
44.23.100-01	100 cm	50	0,167
44.23.120-01	120 cm	50	0,185
44.23.150-01	150 cm	20	0,212
44.23.200-01	200 cm	20	0,257
*Pipe 1/2"			
3/4" - 3/4"			
45.24.010-01	10 cm	100	0,081
45.24.020-01	20 cm	60	0,097
45.24.030-01	30 cm	50	0,114
45.24.040-01	40 cm	50	0,126
45.24.050-01	50 cm	50	0,140
45.24.060-01	60 cm	30	0,154
45.24.070-01	70 cm	30	0,169
45.24.080-01	80 cm	30	0,183
45.24.090-01	90 cm	30	0,198
45.24.100-01	100 cm	30	0,213
45.24.120-01	120 cm	30	0,241
45.24.150-01	150 cm	20	0,284
45.24.200-01	200 cm	20	0,357

FLEXIBLE METAL HOSE GROUPS



PRODUCT CODE	SIZE	PCS/BOX	PCS/GROSS
1/2" - 1/2"			
44.20.011-01	10 cm	100	0,079
44.20.021-01	20 cm	100	0,082
44.20.031-01	30 cm	75	0,101
44.20.041-01	40 cm	75	0,111
44.20.051-01	50 cm	75	0,121
44.20.061-01	60 cm	50	0,131
44.20.071-01	70 cm	50	0,137
44.20.081-01	80 cm	50	0,148
44.20.091-01	90 cm	50	0,156
44.20.101-01	100 cm	50	0,164
44.20.121-01	120 cm	50	0,183
44.20.151-01	150 cm	20	0,210
44.20.201-01	200 cm	20	0,258
3/4" - 1/2"			
44.22.011-01	10 cm	100	0,113
44.22.021-01	20 cm	75	0,124
44.22.031-01	30 cm	75	0,134
44.22.041-01	40 cm	50	0,145
44.22.051-01	50 cm	50	0,156
44.22.061-01	60 cm	50	0,162
44.22.071-01	70 cm	50	0,171
44.22.081-01	80 cm	50	0,179
44.22.091-01	90 cm	50	0,190
44.22.100-01	100 cm	50	0,199
44.22.120-01	120 cm	50	0,220
44.22.150-01	150 cm	25	0,248
44.22.200-01	200 cm	20	0,300
*Pipe 1/2"			
3/4" - 3/4"			
45.23.011-01	10 cm	100	0,112
45.23.021-01	20 cm	60	0,128
45.23.031-01	30 cm	50	0,145
45.23.041-01	40 cm	50	0,160
45.23.051-01	50 cm	50	0,176
45.23.061-01	60 cm	30	0,190
45.23.071-01	70 cm	30	0,210
45.23.081-01	80 cm	30	0,228
45.23.091-01	90 cm	30	0,237
45.23.101-01	100 cm	30	0,255
45.23.121-01	120 cm	30	0,270
45.23.151-01	150 cm	20	0,320
45.23.201-01	200 cm	20	0,397

PRODUCT CODE	SIZE	PCS/BOX	PCS/GROSS
1/2" - 1/2"			
44.21.011-01	10 cm	100	0,058
44.21.021-01	20 cm	100	0,068
44.21.031-01	30 cm	75	0,078
44.21.041-01	40 cm	75	0,089
44.21.051-01	50 cm	75	0,099
44.21.061-01	60 cm	50	0,107
44.21.071-01	70 cm	50	0,115
44.21.081-01	80 cm	50	0,123
44.21.091-01	90 cm	50	0,133
44.21.101-01	100 cm	50	0,142
44.21.121-01	120 cm	50	0,162
44.21.151-01	150 cm	20	0,191
44.21.201-01	200 cm	20	0,232
3/4" - 1/2"			
44.23.011-01	10 cm	100	0,088
44.23.021-01	20 cm	75	0,100
44.23.031-01	30 cm	75	0,108
44.23.041-01	40 cm	50	0,118
44.23.051-01	50 cm	50	0,128
44.23.061-01	60 cm	50	0,137
44.23.071-01	70 cm	50	0,149
44.23.081-01	80 cm	50	0,156
44.23.091-01	90 cm	50	0,165
44.23.100-01	100 cm	50	0,175
44.23.120-01	120 cm	50	0,192
44.23.150-01	150 cm	20	0,219
44.23.200-01	200 cm	20	0,265
*Pipe 1/2"			
3/4" - 3/4"			
45.24.011-01	10 cm	100	0,084
45.24.021-01	20 cm	60	0,100
45.24.031-01	30 cm	50	0,117
45.24.041-01	40 cm	50	0,130
45.24.051-01	50 cm	50	0,145
45.24.061-01	60 cm	30	0,160
45.24.071-01	70 cm	30	0,175
45.24.081-01	80 cm	30	0,189
45.24.091-01	90 cm	30	0,205
45.24.101-01	100 cm	30	0,218
45.24.121-01	120 cm	30	0,249
45.24.151-01	150 cm	20	0,293
45.24.201-01	200 cm	20	0,369



FANCOIL NUT - NIPPLE (M/F)



PRODUCT CODE	SIZE	PCS/BOX	PCS/GROSS
--------------	------	---------	-----------

1/2" - 1/2"

43.17.020-01	20 cm	50	0,085
43.17.025-01	25 cm	50	0,095
43.17.030-01	30 cm	50	0,119
43.17.035-01	35 cm	50	0,124
43.17.040-01	40 cm	50	0,127
43.17.050-01	50 cm	50	0,138
43.17.060-01	60 cm	50	0,149
43.17.070-01	70 cm	50	0,161
43.17.080-01	80 cm	50	0,174

3/4" - 1/2"

43.21.020-01	20 cm	50	0,102
43.21.025-01	25 cm	50	0,108
43.21.030-01	30 cm	50	0,113
43.21.035-01	35 cm	50	0,118
43.21.040-01	40 cm	50	0,123
43.21.050-01	50 cm	50	0,134
43.21.060-01	60 cm	50	0,145
43.21.070-01	70 cm	50	0,156
43.21.080-01	80 cm	50	0,167

*Pipe 1/2"

3/4" - 3/4"

43.19.020-01	20 cm	50	0,148
43.19.025-01	25 cm	50	0,158
43.19.030-01	30 cm	50	0,169
43.19.035-01	35 cm	50	0,178
43.19.040-01	40 cm	50	0,183
43.19.050-01	50 cm	50	0,198
43.19.060-01	60 cm	30	0,218
43.19.070-01	70 cm	30	0,237
43.19.080-01	80 cm	30	0,254

1" - 3/4"

43.23.020-01	20 cm	50	0,168
43.23.025-01	25 cm	50	0,176
43.23.030-01	30 cm	50	0,184
43.23.035-01	35 cm	50	0,193
43.23.040-01	40 cm	50	0,200
43.23.050-01	50 cm	50	0,223
43.23.060-01	60 cm	50	0,243
43.23.070-01	70 cm	50	0,263
43.23.080-01	80 cm	50	0,283

*Pipe 3/4"

FANCOIL NUT - NIPPLE (F/F)



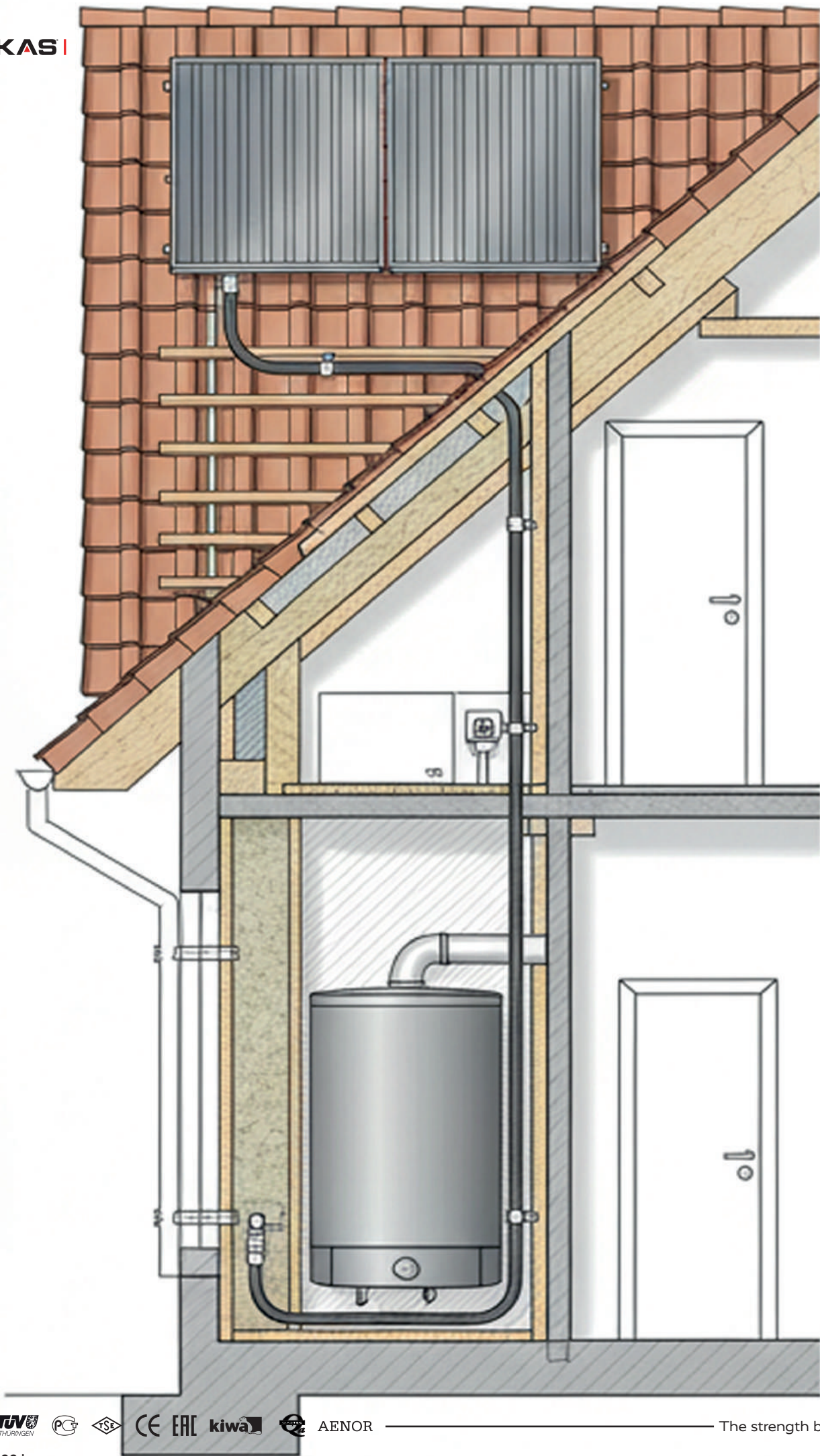
PRODUCT CODE	SIZE	PCS/BOX	PCS/GROSS
--------------	------	---------	-----------

1/2" - 1/2"

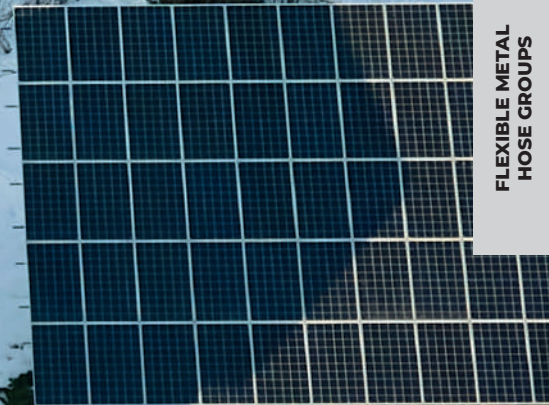
43.47.020-01	20 cm	25	0,070
43.47.025-01	25 cm	25	0,075
43.47.030-01	30 cm	25	0,080
43.47.035-01	35 cm	25	0,085
43.47.040-01	40 cm	25	0,090
43.47.050-01	50 cm	25	0,095
43.47.060-01	60 cm	25	0,110
43.47.070-01	70 cm	25	0,120
43.47.080-01	80 cm	25	0,133

3/4" - 3/4"

43.49.020-01	20 cm	25	0,142
43.49.025-01	25 cm	25	0,150
43.49.030-01	30 cm	25	0,158
43.49.035-01	35 cm	25	0,165
43.49.040-01	40 cm	20	0,176
43.49.050-01	50 cm	20	0,193
43.49.060-01	60 cm	20	0,210
43.49.070-01	70 cm	20	0,230
43.49.080-01	80 cm	20	0,252



PROTECTION IS ENGINEERED BY NATURE

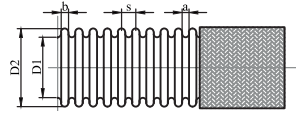



FLEXIBLE METAL
HOSE GROUPS

ADAPTABLE DURABLE and EFFICIENT



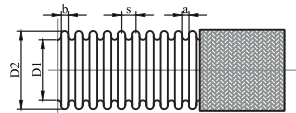
FLEXIBLE HOSE WIDE PITCH (BOBBIN)




Standard	EN ISO 10380
Material	1.4404
Temperature Range	Min. -270°C - Max. +600°C
Intended Use	Water Application
Tds Qr Code	

PRODUCT CODE	SIZE	PCS/BOX	PCS/GROSS
55.02.002	DN 12	1 / 2.250	186,50
55.11.521	DN 16	1 / 1.250	190,00
55.21.001	DN 20	1 / 1.000	187,00
55.31.500	DN 25	1 / 500	126,00
55.32.300	DN 32	1 / 300	120,00
55.40.200	DN 40	1 / 200	150,00
55.50.150	DN 50	1 / 150	50,00

FLEXIBLE HOSE WIDE PITCH (COIL)



Standard	EN ISO 10380
Material	1.4404
Temperature Range	Min. -270°C - Max. +600°C
Intended Use	Water Application
Tds Qr Code	

PRODUCT CODE	SIZE	PCS/BOX	PCS/GROSS
59.12.051	DN 12	1 / 50	4,150
59.16.051	DN 16	1 / 50	7,600
59.20.051	DN 20	1 / 50	9,350
59.25.510	DN 25	1 / 50	12,600
59.32.030	DN 32	1 / 30	12,000
59.40.025	DN 40	1 / 25	18,500
59.50.020	DN 50	1 / 20	19,500



INSULATED DOUBLE CABLE SOLAR FLEX HOSE

	Standard	TS EN 10380
	Working Pressure	PN10(DN16-DN20), PN6(DN25)
	Intended Use	Water Connection
	Temperature Range	Min -40°C - Max +120°C
	Tds Qr Code	

PRODUCT CODE	SIZE	PCS/BOX	PCS/GROSS	D1(MM)	D2(MM)	L(MT)
57.01.010	DN 16	1/10	7,00	Ø21,4	Ø46	10
57.01.015	DN 16	1/15	10,05	Ø21,4	Ø46	15
57.01.020	DN 16	1/20	14,00	Ø21,4	Ø46	20
57.01.025	DN 16	1/25	17,50	Ø21,4	Ø46	25
57.01.030	DN 16	1/30	21,00	Ø21,4	Ø46	30
57.01.050	DN 16	1/50	*	Ø21,4	Ø46	50
57.01.075	DN 16	1/75	*	Ø21,4	Ø46	75
57.01.100	DN 16	1/100	*	Ø21,4	Ø46	100
57.06.015	DN 20	1/15	13,08	Ø21,4	Ø54	15
57.07.015	DN 25	1/15	15,06	Ø31,6	Ø61	15

**The specified meter lengths are for hoses.

BRASS NUT

PRODUCT CODE	SIZE	PCS/BOX	PCS/GROSS
54.00.001	DN 12	250	0,021
54.00.012	DN 16	200	0,032
54.00.003	DN 20	100	0,050
54.00.004	DN 25	100	0,075
54.00.005	DN 32	25	0,187

S.STEEL RING

PRODUCT CODE	SIZE	PCS/BOX	PCS/GROSS
T-519	DN 12	1000	0,001
T-520	DN 16	1000	0,002
T-521	DN 20	1000	0,002
T-522	DN 25	1000	0,003
T-532	DN 32	500	0,007

FLATTENING TOOL

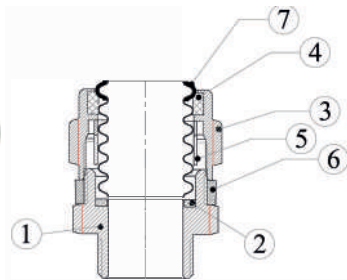
PRODUCT CODE	SIZE	PCS/BOX	PCS/GROSS
46.12.016	DN12 - DN16	1	0,085
46.20.025	DN20 - DN25	1	0,098
46.70.001	Body	1	0,630

KLINGERIT GASKET

PRODUCT CODE	SIZE	PCS/BOX	PCS/GROSS
8107	DN 12	1000	0,001
8108	DN 16	1000	0,002
8112	DN 20	1000	0,002
8109	DN 25	1000	0,002



QUICK COUPLING SAFE CONNECTION FITTINGS



Standard	EN 15266
Working Temperature	Max. 60°C
Working Pressure	3 Bar
Intended Use	Water Application

Tds Qr Code



PRODUCT CODE	SIZE	PCS/BOX	PCS/GROSS
60.16.012-3	DN 16 x 1/2"	30	0,153
60.16.016-3	DN 16 x 3/4"	30	0,159
60.20.012-3	DN 20 x 1/2"	40	0,150
60.20.016-3	DN 20 x 3/4"	40	0,156
60.25.012-3	DN 25 x 1/2"	32	0,238
60.25.016-3	DN 25 x 3/4"	32	0,248
60.25.025-3	DN 25 x 1"	24	0,255
60.32.025-3	DN 32 x 1"	40	0,516
60.32.032-3	DN 32 x 1" 1/4"	32	0,531

QUICK COUPLING SYSTEMS

Fast, Safe and Reliable Connection Technology

Quick Coupling Systems are designed to provide fast, secure and reliable connections in modern plumbing and heating installations. Compared to conventional connection elements, these systems offer up to 10 times higher safety, significantly reducing the risk of leakage and installation errors.

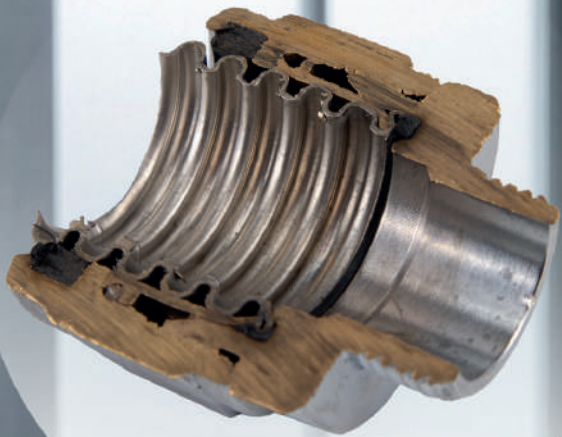
Thanks to their advanced sealing technology and precisely engineered locking mechanism, they ensure tight and durable connections even under high pressure conditions. Their robust construction and high-quality materials provide long-term durability and reliable system performance.

Quick coupling technology also reduces installation time, allowing faster and more efficient assembly while maintaining maximum system safety.

Key Advantages

- Up to 10 times safer connection compared to conventional systems
- High pressure resistance for demanding installations
- Advanced sealing technology for reliable leak prevention
- Precision locking mechanism for secure connections
- Fast and easy installation saving time and labor
- Durable construction resistant to mechanical stress
- Stable sealing performance during long-term operation
- Ideal solution for professional plumbing and heating systems

Quick Install Clean Result



Quick Installation Coupling system is practical and easy.

System takes up little space, is lightweight, easy to transport and minimizes transportation costs.

System is resistant to both wear and corrosion thanks to its stainless steel hose and outer sheath.




PPR-C Pipe &
Fittings ▶



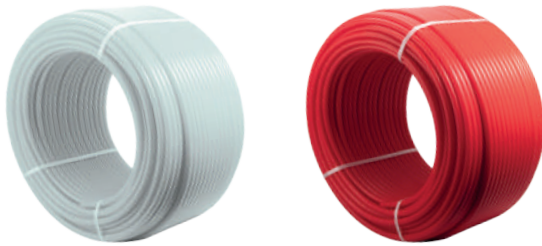
PE-RT PIPE - 5 LAYER








Standard	EN ISO 22391-2
Working Temperature	Max. 70°C
Working Pressure	6 Bar
Intended Use	Underfloor Heating Systems
Tds Qr Code	

PRODUCT CODE	SIZE	PCS/BOX
80.50.016-RED	16x2	240
80.50.017-RED	17x2	240
80.50.020-RED	20x2	240

PE-RT PIPE



Standard	EN ISO 22391-2
Working Temperature	Max. 70°C
Working Pressure	6 Bar
Intended Use	Underfloor Heating Systems
Tds Qr Code	

PRODUCT CODE	SIZE	PCS/BOX
80.20.016	16x2	200
80.21.016	16x2	100 
80.22.016	16x2	100 
80.10.016	O ₂ Barrier 16x2	240
80.10.017	O ₂ Barrier 17x2	240
80.11.016	O ₂ Barrier 16x2	100 
80.12.016	O ₂ Barrier 16x2	100 
80.20.020	20x2	200

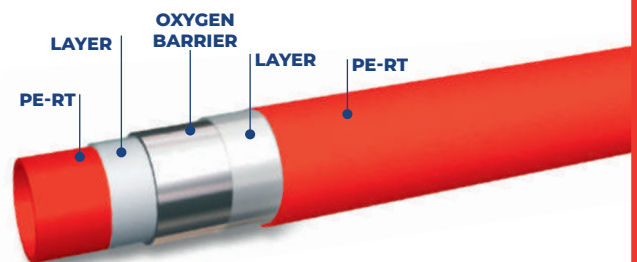
PE-RT 5 LAYER OXYGEN BARRIER PIPE

- PE-RT phrase is the short form of pipes resistant to **raised temperature**.
- KAS uses new generation **Type 2 PE-RT raw material** in production to offer better pressure resistance.
- Since no chemical material is used, it doesn't lead to health problems and is available to **use for drinking water**.
- KAS PE-RT pipes are packed as rolls, have **very flexible form** and can be easily assembled.

OFFERS PROTECTION FROM EXTERNAL IMPACTS AND HITS



BENEFITS OF KAS PE-RT 5 LAYER PIPE

- It has a flexible form, so can be easily assembled without any additional piece required.
- High temperature and pressure resistance.
- Environment friendly recyclable raw material.
- High resistance against chemicals.
- Easy installation during cold weather conditions without any heating requirement.
- No calcification or corrosion occurs inside the pipe.
- No inner diameter shrinking occurs.
- Can be used for drinking water.
- Pipe rolls can be easily moved and installed.







PEX AL-PEX PIPE		
	Standard	EN 15875-2
	Working Temperature	Max. 100°C
	Working Pressure	10 Bar
	Intended Use	Underfloor Heating Systems
	Tds Qr Code	
PRODUCT CODE	SIZE	M/BOX
80.30.016	16x2	200
80.30.020	20x2	150
80.30.025	25x2	100

Thanks to its multilayer structure, it provides high durability and long service life.

The aluminum layer ensures a 100% oxygen barrier.

With its low thermal expansion coefficient, it maintains its form and prevents sagging.

Retains its bent shape, enabling easy and precise installation.



Resistant to high temperature and pressure.

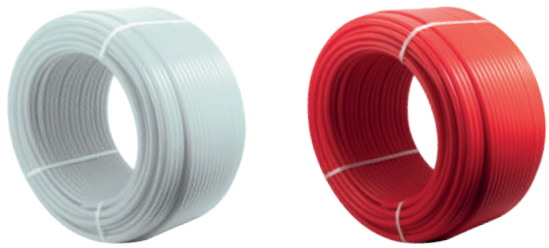





Resistant to corrosion and limescale formation.

Smooth inner surface minimizes flow loss.

Lightweight structure allows fast and practical installation.

Reduces heat and sound transmission, ensuring comfortable use.

PPR-C DOUBLE PIPE FIXTURE		
		
PRODUCT CODE	SIZE	PCS/BOX
80.05.005	-	1000

Pex PIPE		
	Standard	EN ISO 15875-2
	Working Temperature	Max. 95°C
	Working Pressure	8 Bar
	Intended Use	Underfloor Heating Systems
	Tds Qr Code	
PRODUCT CODE	SIZE	M/BOX
80.00.016	16x2	200
80.01.016	16x2	100 
80.02.016	16x2	100 
81.00.016	O ₂ Barrier 16x2	240
81.01.016	O ₂ Barrier 16x2	100 
81.02.016	O ₂ Barrier 16x2	100 
81.00.020	O ₂ Barrier 20x2	240



PPR-C PIPE - PN 10

PRODUCT CODE	SIZE	M/BOX	M/GROSS
94.01.020	20	100	0,115
94.01.025	25	80	0,170
94.01.032	32	60	0,265
94.01.040	40	40	0,399
94.01.050	50	20	0,634
94.01.063	63	16	1,141
94.01.075	75	12	1,450
94.01.090	90	8	2,050
94.01.110	110	4	3,040

PPR-C PIPE - PN 16

PRODUCT CODE	SIZE	M/BOX	M/GROSS
94.02.020	20	100	0,150
94.02.025	25	80	0,225
94.02.032	32	60	0,370
94.02.040	40	40	0,560
94.02.050	50	20	0,919
94.02.063	63	16	1,363
94.02.075	75	12	2,050
94.02.090	90	8	2,930
94.02.110	110	4	4,390

PPR-C PIPE - PN 20

PRODUCT CODE	SIZE	M/BOX	M/GROSS
94.03.020	20	100	0,166
94.03.025	25	80	0,257
94.03.032	32	60	0,429
94.03.040	40	40	0,671
94.03.050	50	20	1,035
94.03.063	63	16	1,616
94.03.075	75	12	2,350
94.03.090	90	8	3,300
94.03.110	110	4	5,050

- 95
- 96
- 97
- 98
- 99
- 100
- 101

To change the product color, you must replace the first two codes with the corresponding color



PPR-C PIPE WITH ALUMINIUM - PN 20



PRODUCT CODE	SIZE	M/BOX	M/GROSS
94.10.020	20	100	0,169
94.10.025	25	80	0,252
94.10.032	32	60	0,425
94.10.040	40	40	0,606
94.10.050	50	20	1,006

PPR-C PIPE WITH ALUMINIUM - PN 25



PRODUCT CODE	SIZE	M/BOX	M/GROSS
94.11.020	20	100	0,192
94.11.025	25	80	0,285
94.11.032	32	60	0,465
94.11.040	40	40	0,717
94.11.050	50	20	1,067
94.11.063	63	16	1,746

**PPR-C PIPE WITH ALUMINIUM
UV COVER - PN 20**



PRODUCT CODE	SIZE	M/BOX	M/GROSS
99.10.020	20	100	0,169
99.10.025	25	80	0,252
99.10.032	32	60	0,425
99.10.040	40	40	0,606
99.10.050	50	20	1,006

**PPR-C PIPE WITH ALUMINIUM
UV COVER - PN 25**



PRODUCT CODE	SIZE	M/BOX	M/GROSS
99.11.020	20	100	0,192
99.11.025	25	80	0,285
99.11.032	32	60	0,465
99.11.040	40	40	0,717
99.11.050	50	20	1,067
99.11.063	63	16	1,746

PPR-C PIPE & FITTINGS

- 95
- 96
- 97
- 98
- 99
- 100
- 101

To change the product color, you must replace the first two codes with the corresponding color



PPR-C COMPOSITE PIPE - PN 20



PRODUCT CODE	SIZE	M/BOX	M/GROSS
94.06.020	20	100	0,163
94.06.025	25	80	0,267
94.06.032	32	60	0,428
94.06.040	40	40	0,606
94.06.050	50	20	0,999
94.06.063	63	16	1,515
94.06.075	75	12	2,120
94.06.090	90	8	3,120
94.06.110	110	4	4,430

PPR-C COMPOSITE PIPE - PN 25



PRODUCT CODE	SIZE	M/BOX	M/GROSS
94.07.020	20	100	0,182
94.07.025	25	80	0,281
94.07.032	32	60	0,463
94.07.040	40	40	0,681
94.07.050	50	20	1,090
94.07.063	63	16	1,696
94.07.075	75	12	2,480
94.07.090	90	8	3,330
94.07.110	110	4	5,075

PPR-C WELDING SET



PRODUCT CODE	SIZE	PCS/BOX	PCS/GROSS
94.00.001	Welding Set	1	4,900

PPR-C PIPE CUTTER



PRODUCT CODE	SIZE	PCS/BOX	PCS/GROSS
94.00.002	Pipe Cutter	20	0,350

95

96

97

98

99

100

101

To change the product color, you must replace the first two codes with the corresponding color



AENOR

The strength beneath comfort.



TAIL ELBOW 90°



PRODUCT CODE	SIZE	PCS/BOX	PCS/GROSS
94.13.220	20	300	0,018
94.13.225	25	150	0,033
94.13.232	32	90	0,057

ELBOW 90°



PRODUCT CODE	SIZE	PCS/BOX	PCS/GROSS
94.13.020	20	400	0,016
94.13.025	25	200	0,025
94.13.032	32	125	0,045
94.13.040	40	60	0,075
94.13.050	50	30	0,159
94.13.063	63	18	0,241
94.13.075	75	12	0,440
94.13.090	90	6	0,751
94.13.110	110	3	1,146

SOCKET



PRODUCT CODE	SIZE	PCS/BOX	PCS/GROSS
94.17.020	20	600	0,011
94.17.025	25	300	0,016
94.17.032	32	200	0,026
94.17.040	40	100	0,043
94.17.050	50	80	0,089
94.17.063	63	36	0,152
94.17.075	75	24	0,222
94.17.090	90	12	0,433
94.17.110	110	4	0,710

ELBOW 45°



PRODUCT CODE	SIZE	PCS/BOX	PCS/GROSS
94.14.020	20	400	0,014
94.14.025	25	300	0,019
94.14.032	32	150	0,036
94.14.040	40	80	0,059
94.14.050	50	48	0,109
94.14.063	63	21	0,215
94.14.075	75	12	0,356
94.14.090	90	10	0,577
94.14.110	110	4	1,072

95

96

97

98

99

100

101

To change the product color, you must replace the first two codes with the corresponding color



AENOR

The strength beneath comfort.



EQUAL TEE



PRODUCT CODE	SIZE	PCS/BOX	PCS/GROSS
94.15.020	20	240	0,022
94.15.025	25	150	0,032
94.15.032	32	75	0,059
94.15.040	40	50	0,099
94.15.050	50	30	0,173
94.15.063	63	16	0,317
94.15.075	75	10	0,515
94.15.090	90	5	0,938
94.15.110	110	2	1,675

REDUCTION



PRODUCT CODE	SIZE	PCS/BOX	PCS/GROSS
94.19.001	25x20	600	0,010
94.19.002	32x20	300	0,014
94.19.003	32x25	300	0,017
94.19.004	40x20	250	0,025
94.19.005	40x25	200	0,027
94.19.006	40x32	160	0,031
94.19.007	50x20	140	0,038
94.19.008	50x25	140	0,045
94.19.009	50x32	125	0,046
94.19.010	50x40	100	0,052
94.19.011	63x20	80	0,075
94.19.012	63x25	80	0,071
94.19.013	63x32	64	0,080
94.19.014	63x40	64	0,091
94.19.015	63x50	52	0,107
94.19.016	75x50	30	0,148
94.19.017	75x63	30	0,185
94.19.018	90x40	20	0,200
94.19.019	90x50	20	0,215
94.19.020	90x63	20	0,247
94.19.021	90x75	20	0,280
94.19.022	110x50	20	0,311
94.19.023	110x63	16	0,365
94.19.024	110x75	16	0,418
94.19.025	110x90	12	0,507

REDUCTION COUPLING



PRODUCT CODE	SIZE	PCS/BOX	PCS/GROSS
94.19.101	25x20	300	0,015
94.19.102	32x20	200	0,022
94.19.103	32x25	200	0,023

95

96

97

98

99

100

101

To change the product color, you must replace the first two codes with the corresponding color



AENOR

The strength beneath comfort.



REDUCTION T



PRODUCT CODE	SIZE	PCS/BOX	PCS/GROSS
94.16.001	25x20x20	200	0,025
94.16.002	25x20x25	150	0,028
94.16.003	32x20x20	90	0,043
94.16.004	32x20x32	80	0,045
94.16.005	32x25x20	90	0,047
94.16.006	32x25x25	90	0,049
94.16.007	32x25x32	80	0,050
94.16.008	40x20x40	60	0,068
94.16.009	40x25x40	60	0,077
94.16.010	40x32x40	50	0,088
94.16.011	50x20x50	32	0,138
94.16.012	50x25x50	32	0,142
94.16.013	50x32x50	32	0,143
94.16.014	50x40x50	32	0,162
94.16.015	63x20x63	18	0,213
94.16.016	63x25x63	18	0,225
94.16.017	63x32x63	18	0,248
94.16.018	63x40x63	18	0,266
94.16.019	63x50x63	18	0,347
94.16.020	75x20x75	12	0,465
94.16.021	75x25x75	12	0,465
94.16.022	75x32x75	12	0,466
94.16.023	75x40x75	12	0,469
94.16.024	75x50x75	12	0,470
94.16.025	75x63x75	12	0,476
94.16.026	90x20x90	5	0,770
94.16.027	90x25x90	5	0,778
94.16.028	90x32x90	5	0,778
94.16.029	90x40x90	5	0,780
94.16.030	90x50x90	5	0,792
94.16.031	90x63x90	5	0,838
94.16.032	90x75x90	5	0,840
94.16.033	110x20x110	3	1,271
94.16.034	110x25x110	3	1,269
94.16.035	110x32x110	3	1,229
94.16.036	110x40x110	3	1,227
94.16.037	110x50x110	3	1,225
94.16.038	110x63x110	3	1,218
94.16.039	110x75x110	3	1,222
94.16.040	110x90x110	3	1,241

PPR-C BEND PN25



PRODUCT CODE	SIZE	PCS/BOX	PCS/GROSS
94.13.325	16x2	200	0,121

CROSS



PRODUCT CODE	SIZE	PCS/BOX	PCS/GROSS
94.12.020	20	75	0,048
94.12.025	25	60	0,085
94.12.032	32	40	0,165

C CROSS



PRODUCT CODE	SIZE	PCS/BOX	PCS/GROSS
94.12.220	20	120	0,029
94.12.225	25	120	0,049
94.12.232	32	60	0,091

- 95
- 96
- 97
- 98
- 99
- 100
- 101

To change the product color, you must replace the first two codes with the corresponding color



CROSSOVER SOCKET TYPE



PRODUCT CODE	SIZE	PCS/BOX	PCS/GROSS
94.12.120	20	60	0,047
94.12.125	25	60	0,067
94.12.132	32	40	0,135

SINGLE CLAMP



PRODUCT CODE	SIZE	PCS/BOX	PCS/GROSS
94.20.020	20	900	0,005
94.20.025	25	900	0,006
94.20.032	32	400	0,010
94.20.040	40	200	0,019

Single Locked

94.20.120	20	600	0,006
94.20.125	25	600	0,010
94.20.132	32	300	0,019

DOUBLE CLAMP



PRODUCT CODE	SIZE	PCS/BOX	PCS/GROSS
94.20.220	20 mm	400	0,011
94.20.225	25 mm	300	0,012
94.20.232	32 mm	200	0,018

PPR-C STOP VALVE



PRODUCT CODE	SIZE	PCS/BOX	PCS/GROSS
94.33.676	20	60	0,137
94.33.677	25	50	0,186
94.33.678	32	30	0,280

CROSS PPR-C PIPE



PRODUCT CODE	SIZE	PCS/BOX	PCS/GROSS
94.31.020	20 mm	200	0,025
94.31.025	25 mm	140	0,035
94.31.032	32 mm	60	0,064
94.31.040	40 mm	40	0,097



To change the product color, you must replace the first two codes with the corresponding color



END CAP



PRODUCT CODE	SIZE	PCS/BOX	PCS/GROSS
94.18.020	20	800	0,008
94.18.025	25	500	0,010
94.18.032	32	300	0,019
94.18.040	40	200	0,035
94.18.050	50	100	0,060
94.18.063	63	60	0,111
94.18.075	75	40	0,146
94.18.090	90	24	0,264
94.18.110	110	12	0,552

BLIND CAP



PRODUCT CODE	SIZE	PCS/BOX	PCS/GROSS
94.21.001	20	900	0,006
94.21.002	25	600	0,010
94.21.003	32	400	0,010
94.21.011	20 (L)	600	0,009

MALE T



PRODUCT CODE	SIZE	PCS/BOX	PCS/GROSS
94.27.001	20 x 1/2"	160	0,062
94.27.002	20 x 3/4"	150	0,076
94.27.003	25 x 1/2"	100	0,092
94.27.004	25 x 3/4"	100	0,090
94.27.005	32 x 1/2"	60	0,125
94.27.006	32 x 3/4"	60	0,134
94.27.007	32 x 1"	60	0,148

FEMALE T



PRODUCT CODE	SIZE	PCS/BOX	PCS/GROSS
94.26.001	20x1/2"	160	0,050
94.26.002	20x3/4"	150	0,067
94.26.003	25x1/2"	100	0,075
94.26.004	25x3/4"	100	0,083
94.26.005	32x1/2"	60	0,112
94.26.006	32x3/4"	60	0,126
94.26.007	32x1"	60	0,128

95

96

97

98

99

100

101

To change the product color, you must replace the first two codes with the corresponding color



AENOR

The strength beneath comfort.



BLIND CAP - LONG TYPE



PRODUCT CODE	SIZE	PCS/BOX	PCS/GROSS
94.21.021	20	200	0,020
94.21.031	20 (O-Ring)	200	0,020

FEMALE TRANSITION



PRODUCT CODE	SIZE	PCS/BOX	PCS/GROSS
94.22.001	20x1/2"	300	0,042
94.22.002	20x3/4"	160	0,053
94.22.003	25x1/2"	160	0,040
94.22.004	25x3/4"	160	0,057
94.22.014	25x1"	100	0,077
94.22.005	32x1/2"	100	0,080
94.22.006	32x3/4"	100	0,083
94.22.007	32x1"	100	0,085
94.22.008	40x1 1/4"	48	0,190
94.22.009	50 x 1 1/2"	42	0,266
94.22.010	63x2"	24	0,377
94.22.011	75x 2 1/2"	8	0,860
94.22.012	90x3"	6	1,330
94.22.013	110x4"	4	1,555

MALE TRANSITION



PRODUCT CODE	SIZE	PCS/BOX	PCS/GROSS
94.23.001	20x1/2"	250	0,051
94.23.002	20x3/4"	160	0,061
94.23.003	25x1/2"	160	0,049
94.23.004	25x3/4"	160	0,063
94.23.005	32x1/2"	100	0,047
94.23.006	32x3/4"	100	0,087
94.23.007	32x1"	100	0,108
94.23.008	40 x 1 1/4"	48	0,268
94.23.009	50 x 1 1/2"	21	0,355
94.23.010	63x2"	24	0,533
94.23.011	75x 2 1/2"	8	0,955
94.23.012	90x3"	6	1,250
94.23.013	110x4"	3	2,210

FEMALE ELBOW



PRODUCT CODE	SIZE	PCS/BOX	PCS/GROSS
94.24.001	20x1/2"	240	0,046
94.24.002	20x3/4"	200	0,063
94.24.003	25x1/2"	120	0,063
94.24.004	25x3/4"	120	0,073
94.24.005	32x1/2"	60	0,060
94.24.006	32x3/4"	60	0,115
94.24.007	32x1"	60	0,116

95

96

97

98

99

100

101

To change the product color, you must replace the first two codes with the corresponding color



AENOR

The strength beneath comfort.



FEMALE ELBOW WALL TYPE



PRODUCT CODE	SIZE	PCS/BOX	PCS/GROSS
94.28.001	20x1/2"	150	0,052
94.28.002	25x1/2"	120	0,062
94.28.003	25x3/4"	120	0,068

MALE ELBOW



PRODUCT CODE	SIZE	PCS/BOX	PCS/GROSS
94.25.001	20x1/2"	160	0,055
94.25.002	20x3/4"	120	0,072
94.25.003	25x1/2"	120	0,074
94.25.004	25x3/4"	120	0,084
94.25.005	32x1/2"	60	0,112
94.25.006	32x3/4"	60	0,124
94.25.007	32x1"	60	0,139

MALE ELBOW WALL TYPE



PRODUCT CODE	SIZE	PCS/BOX	PCS/GROSS
94.29.001	20x1/2"	150	0,058
94.29.002	25x1/2"	120	0,073
94.29.003	25x3/4"	60	0,078

ELBOW NIPPLE WITH LOOSE NUT



PRODUCT CODE	SIZE	PCS/BOX	PCS/GROSS
94.30.003	20x1/2"	200	0,050
94.30.004	25x3/4"	150	0,078

95

96

97

98

99

100

101

To change the product color, you must replace the first two codes with the corresponding color



AENOR

The strength beneath comfort.



NIPPLE WITH LOOSE NUT



PRODUCT CODE	SIZE	PCS/BOX	PCS/GROSS
94.30.001	20x1/2"	300	0,049
94.30.020	20x3/4"	150	0,062
94.30.002	25x3/4"	200	0,065
94.30.005	25x1/2"	250	0,055
94.30.006	25x1"	80	0,092
94.30.007	32x1"	160	0,094

PPR-C BALL VALVE



PRODUCT CODE	SIZE	PCS/BOX	PCS/GROSS
94.33.670	20	80	0,092
94.33.671	25	70	0,115
94.33.672	32	60	0,172
94.33.673	40	20	0,318
94.33.674	50	10	0,696
94.33.675	63	10	1,090

COMBI CONNECTION PARTS



PRODUCT CODE	SIZE	PCS/BOX	PCS/GROSS
94.37.440	8 Unit Straight	20	0,703
94.37.441	8 Unit Angle	20	0,738
94.37.442	10 Unit Straight	12	0,968
94.37.443	10 Unit Angle	12	1,000

95

96

97

98

99

100

101

To change the product color, you must replace the first two codes with the corresponding color



AENOR

The strength beneath comfort.



MINI PPR-C VALVE



PRODUCT CODE	SIZE	PCS/BOX	PCS/GROSS
94.33.800	1/2"	140	0,066
94.33.801	3/4"	100	0,090

PPR-C FILTER



PRODUCT CODE	SIZE	PCS/BOX	PCS/GROSS
94.33.680	1/2"	100	0,081
94.33.681	3/4"	80	0,115
94.33.682	1" - FM	35	0,219

WATER BALL VALVE WITH PPR-C CONNECTION (NIPPLE - PPR)



PRODUCT CODE	SIZE	PCS/BOX	PCS/GROSS
08.08.730	3/4" - 20 mm	50	0,235
08.08.731	1" - 25 mm	40	0,364
08.08.732	1 1/4" - 32 mm	20	0,540

WATER BALL VALVE WITH PPR-C CONNECTION



PRODUCT CODE	SIZE	PCS/BOX	PCS/GROSS
08.09.730	20 mm	50	0,235
08.09.731	25 mm	40	0,364
08.09.732	32 mm	20	0,540

95

96

97

98

99

100

101

To change the product color, you must replace the first two codes with the corresponding color





AENOR

The strength beneath comfort.





PPR-C RADIATOR VALVE (O-RING)



PRODUCT CODE	SIZE	PCS/BOX	PCS/GROSS
94.33.710	1/2"	100	0,169
94.33.711	3/4"	60	0,193

PPR-C RADIATOR VALVE



PRODUCT CODE	SIZE	PCS/BOX	PCS/GROSS
94.33.700	1/2"	100	0,152
94.33.701	3/4"	60	0,207

PPR-C RADIATOR VALVE (O-RING)

PRODUCT CODE	SIZE	PCS/BOX	PCS/GROSS
94.33.712	1/2"	100	0,171
94.33.713	3/4"	60	0,200

PPR-C RADIATOR VALVE

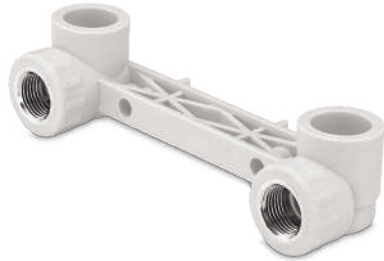
PRODUCT CODE	SIZE	PCS/BOX	PCS/GROSS
94.33.702	1/2"	100	0,171
94.33.703	3/4"	60	0,223

- 95
- 96
- 97
- 98
- 99
- 100
- 101

To change the product color, you must replace the first two codes with the corresponding color

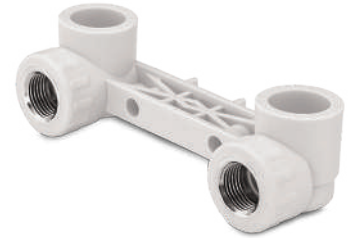


BATTERY CONNECTION (FIXED)



PRODUCT CODE	SIZE	PCS/BOX	PCS/GROSS
94.28.004	20x1/2"	50	0,129
94.28.005	25x1/2"	40	0,126

BATTERY CONNECTION (FIXED) - SHORT



PRODUCT CODE	SIZE	PCS/BOX	PCS/GROSS
94.28.007	20x1/2"	50	0,135
94.28.008	20x3/4"	50	0,127
94.28.009	25x1/2"	50	0,123
94.28.010	25x3/4"	50	0,135

BATTERY CONNECTION (FIXED) - SHORT



PRODUCT CODE	SIZE	PCS/BOX	PCS/GROSS
94.28.006	20x1/2"	50	0,116

BATTERY CONNECTION (ADJUSTABLE)



PRODUCT CODE	SIZE	PCS/BOX	PCS/GROSS
94.28.012	20x1/2"	27	0,261
94.28.013	25x1/2"	27	0,238



To change the product color, you must replace the first two codes with the corresponding color



BATTERY CONNECTION (FIXED-MALE)



PRODUCT CODE	SIZE	PCS/BOX	PCS/GROSS
94.29.015	20x3/4"	40	0,169

PPR-C UNION



PRODUCT CODE	SIZE	PCS/BOX	PCS/GROSS
94.35.020	20	200	0,030
94.35.025	25	100	0,050
94.35.032	32	60	0,060
94.35.040	40	50	0,050

PPR-C CHECK VALVE



PRODUCT CODE	SIZE	PCS/BOX	PCS/GROSS
94.33.695	20	100	0,105
94.33.696	25	50	0,111
94.33.697	32	50	0,120

FEMALE TRANSITION UNION



PRODUCT CODE	SIZE	PCS/BOX	PCS/GROSS
80.21.730	20x1/2"	200	0,075
80.21.731	25x3/4"	150	0,115
80.21.732	32x1"	100	0,130
80.21.733	40x1 1/4"	50	0,256
80.21.734	50x1 1/2"	30	0,456
80.21.735	63x2"	20	0,856
80.21.736	75x2 1/2"	12	*
80.21.737	90x3"	8	*
80.21.738	110x4"	4	*



MALE TRANSITION UNION



PRODUCT CODE	SIZE	PCS/BOX	PCS/GROSS
80.21.750	20x1/2"	200	0,084
80.21.751	25x3/4"	150	0,120
80.21.752	32x1"	100	0,168
80.21.753	40x1 1/4"	50	0,316
80.21.754	50x1 1/2"	30	0,486
80.21.755	63x2"	20	0,490
80.21.756	75x2 1/2"	12	*
80.21.757	90x3"	8	*
80.21.758	110x4"	4	*

PPR-C ADAPTER



PRODUCT CODE	SIZE	PCS/BOX	PCS/GROSS
80.21.770	20	200	0,101
80.21.771	25	150	0,127
80.21.772	32	100	0,157
80.21.773	40	50	0,328
80.21.774	50	30	0,400
80.21.775	63	20	0,645

MALE TRANSITION UNION



PRODUCT CODE	SIZE	PCS/BOX	PCS/GROSS
80.21.760	20x3/4"	200	0,125
80.21.761	20x1"	200	0,168
80.21.762	25x1/2"	200	0,161
80.21.763	25x1"	150	0,174
80.21.764	32x1/2"	100	0,000
80.21.765	32x3/4"	100	0,168

FEMALE TRANSITION UNION



PRODUCT CODE	SIZE	PCS/BOX	PCS/GROSS
80.21.740	20x3/4"	200	0,075
80.21.741	20x1"	200	0,168
80.21.742	25x1/2"	200	0,110
80.21.743	25x1"	150	0,115
80.21.744	32x1/2"	100	0,150
80.21.745	32x3/4"	100	0,173

22

23

24

25

26

27

To change the product color, you must replace the first two codes with the corresponding color



AENOR

The strength beneath comfort.



TOPAÇ - BUILT-IN FAUCET



PRODUCT CODE	SIZE	PCS/BOX	PCS/GROSS
92.11.312-50	1/2"	36	0,285
92.11.314-50	3/4"	36	0,315

PİRAMİT - BUILT-IN FAUCET



PRODUCT CODE	SIZE	PCS/BOX	PCS/GROSS
92.11.316-50	1/2"	36	0,310
92.11.318-50	3/4"	36	0,350

DENİZ - BUILT-IN FAUCET



PRODUCT CODE	SIZE	PCS/BOX	PCS/GROSS
92.11.320-50	1/2"	36	0,435
92.11.322-50	3/4"	36	0,450
92.11.378-50	1"	36	0,495

DENİZ - BUILT-IN FAUCET



PRODUCT CODE	SIZE	PCS/BOX	PCS/GROSS
92.11.320-70	1/2"	36	0,435
92.11.322-70	3/4"	36	0,450



REPUBLIC OF TURKEY
MINISTRY OF ENVIRONMENT,
URBANIZATION AND CLIMATE CHANGE

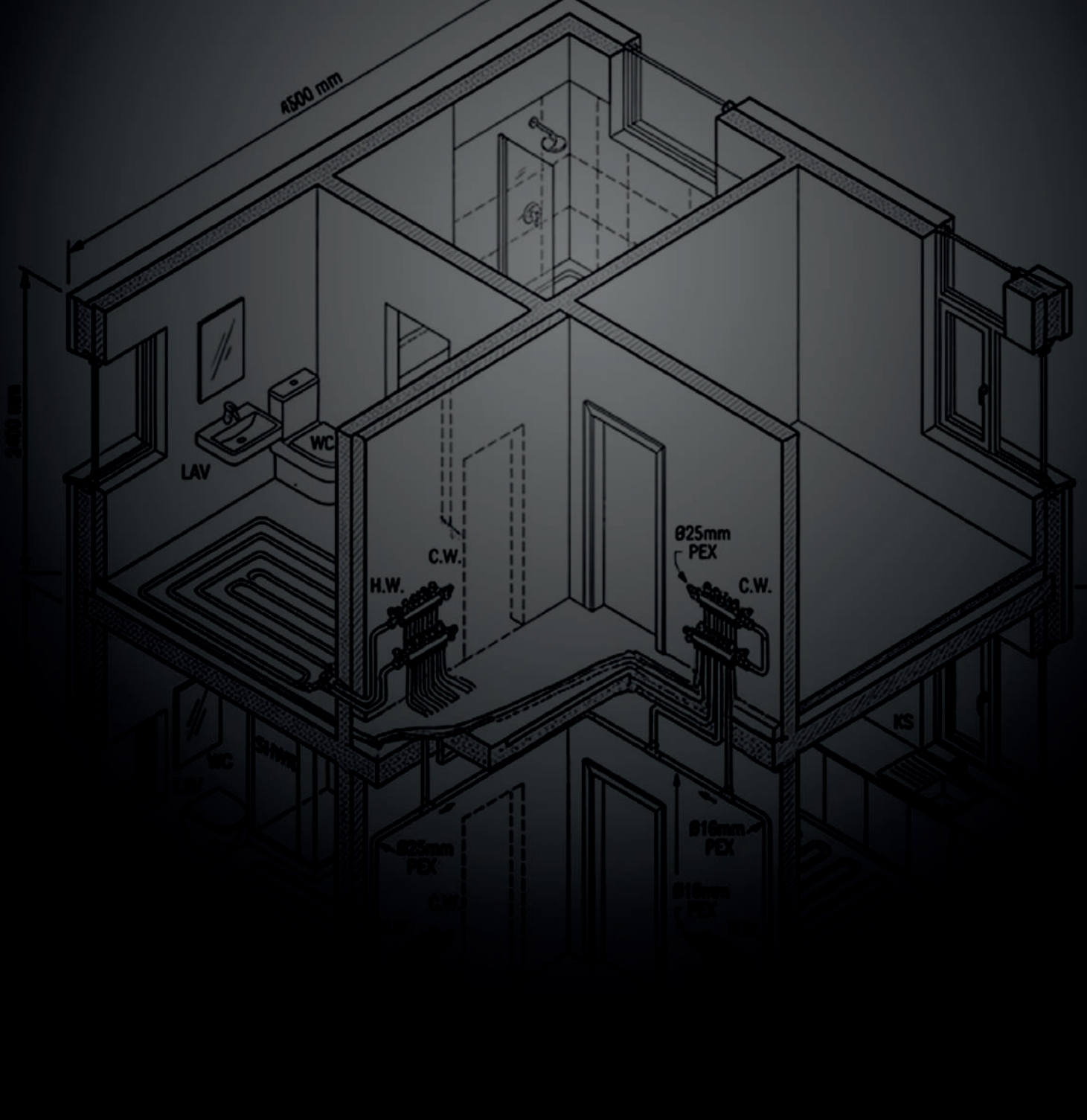


EVERY CONNECTION IS OUR PROMISE TO A SUSTAINABLE FUTURE



ZERO WASTE CERTIFICATE

The Zero Waste Regulation, published and enforced through the Official Gazette numbered 30829 on July 12, 2019, has granted the right to obtain the Zero Waste Certificate by establishing the Zero Waste Management System.



KAS[®]



www.kas.com.tr